

Features

- 1600 SS is an outside glazed captured or SSG curtain wall system
- 1600 SS has 2-1/2" (63.5) sightlines
- Standard 6" (152.4) or 7-1/2" (190.5) depth systems
- Standard infill options 1/4" (6.4) and 1" (25.4), other infills available
- Thermally Broken by means of a continuous 1/4" (6.4) low conductance spacer
- A pre-glazed option, 1600 SS (Preglazed), is also available
- Perimeter seal can be installed at the pressure plate or mullion shoulder
- 1600 SS can be supplied fabricated and KD or in stock lengths
- Interlocking mullion design eliminates need for anti-buckling clips
- Concealed fastener joinery creates smooth, monolithic appearance
- EPDM gaskets and thermal break
- Screw spline joinery method allows shop assembly of ladder sections, reducing field labor
- Corners available with shear block fabrication method
- Offers integrated entrance framing systems
- Silicone compatible glazing materials for long-lasting seals
- Two color option
- Permanodic® anodized finishes option
- Painted finishes in standard and custom choices

Optional Features

- Captured system thermal separator can be pre-installed into pressure plate
- Fiberglass pressure plates available
- Captured and SSG systems with standard Kawneer windows and GLASSvent® windows for curtain wall
- Captured system Integrates with standard Kawneer windows
- Deep and bullnose covers available
- Integrates with Versoleil® SunShade Outrigger System and Horizontal or Vertical Single Blade System
- Profit\$Maker® Plus die sets available

Product Applications

- Ideal for low to mid-rise applications where high performance is desired
- Most of the product assembly can be done in the shop rather than the field. This allows for better quality control and reduces expensive field labor.

For specific product applications,
consult your Kawneer representative.

Laws and building and safety codes governing the design and use of Kawneer products, such as glazed entrance, window, and curtain wall products, vary widely. Kawneer does not control the selection of product configurations, operating hardware, or glazing materials, and assumes no responsibility therefor.

Kawneer reserves the right to change configuration without prior notice when deemed necessary for product improvement.
© 2014, Kawneer Company, Inc.

Architects - Most extrusion and window types illustrated in this catalog are standard products for Kawneer. These concepts have been expanded and modified to afford you design freedom. Some miscellaneous details are non-standard and are intended to demonstrate how the system can be modified to expand design flexibility. Please contact your Kawneer representative for further assistance.

PICTORIAL VIEW5

CAPTURED MULLION FRAMING DETAILS.....6

SSG MULLION FRAMING DETAILS.....7

ENTRANCE DETAILS8,9

UNITWALL FRAMING DETAILS10

(RTS) CAPTURED MULLION FRAMING DETAILS.....11,12

ENTRANCE DETAILS (RTS).....13

CORNER DETAILS.....14,15

GLASSvent® WINDOWS FOR CURTAIN WALL/WINDOWS16

BACK PAN DETAILS.....17

ANCHORING18,19

WIND LOAD / DEAD LOAD CHARTS 20-25

THERMAL CHARTS 26-50

Metric (SI) conversion figures are included throughout these details for reference. Numbers in parentheses () are millimeters unless otherwise noted.

The following metric (SI) units are found in these details:

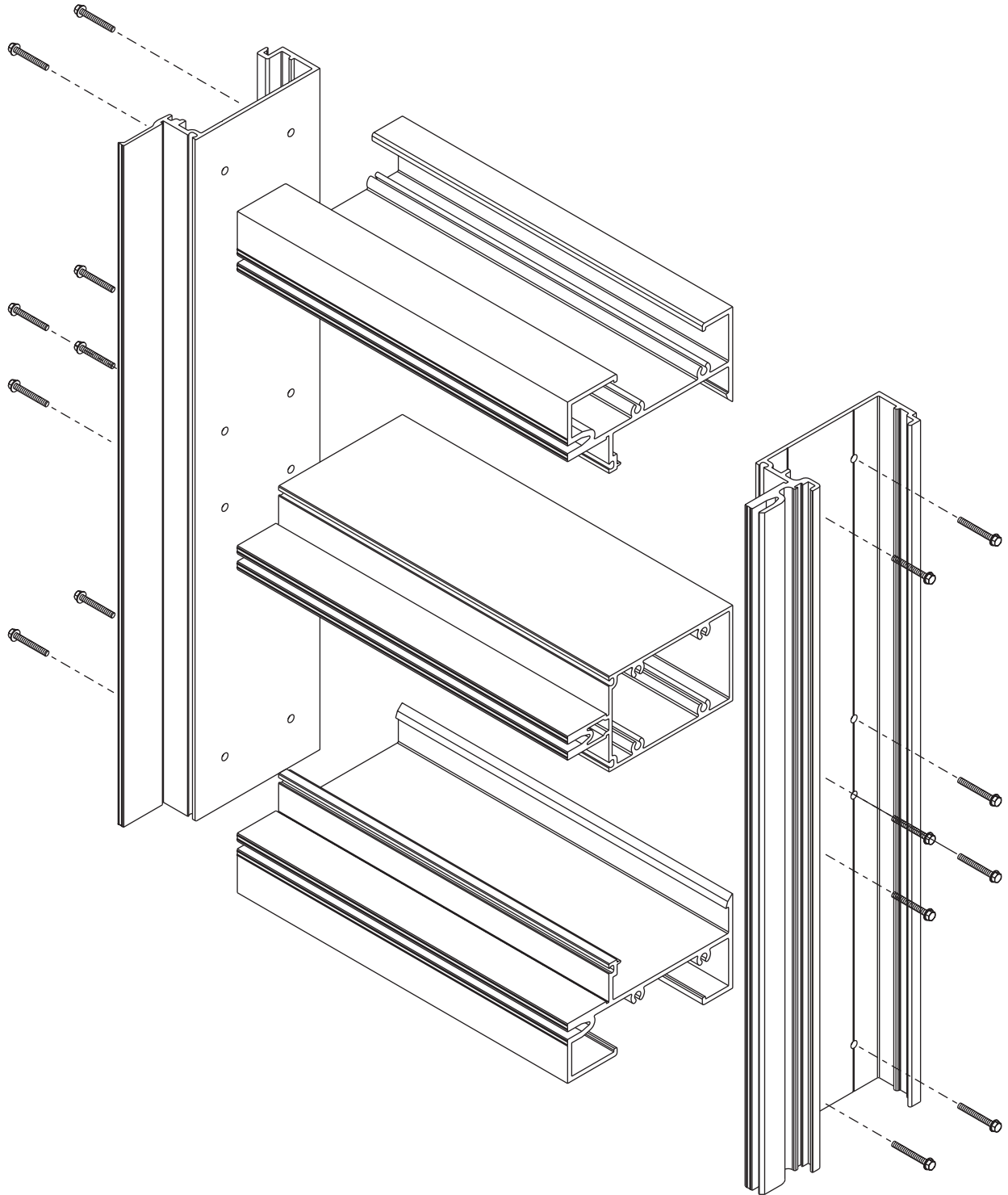
- m – meter
- cm – centimeter
- mm – millimeter
- s – second
- Pa – pascal
- MPa – megapascal

Laws and building and safety codes governing the design and use of Kawneer products, such as glazed entrance, window, and curtain wall products, vary widely. Kawneer does not control the selection of product configurations, operating hardware, or glazing materials, and assumes no responsibility therefor.

Kawneer reserves the right to change configuration without prior notice when deemed necessary for product improvement.
© 2014, Kawneer Company, Inc.

Laws and building and safety codes governing the design and use of Kawneer products, such as glazed entrance, window, and curtain wall products, vary widely. Kawneer does not control the selection of product configurations, operating hardware, or glazing materials, and assumes no responsibility therefor.

Kawneer reserves the right to change configuration without prior notice when deemed necessary for product improvement.
© 2014, Kawneer Company, Inc.

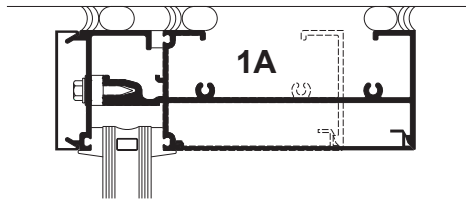


Laws and building and safety codes governing the design and use of Kawneer products, such as glazed entrance, window, and curtain wall products, vary widely. Kawneer does not control the selection of product configurations, operating hardware, or glazing materials, and assumes no responsibility therefor.

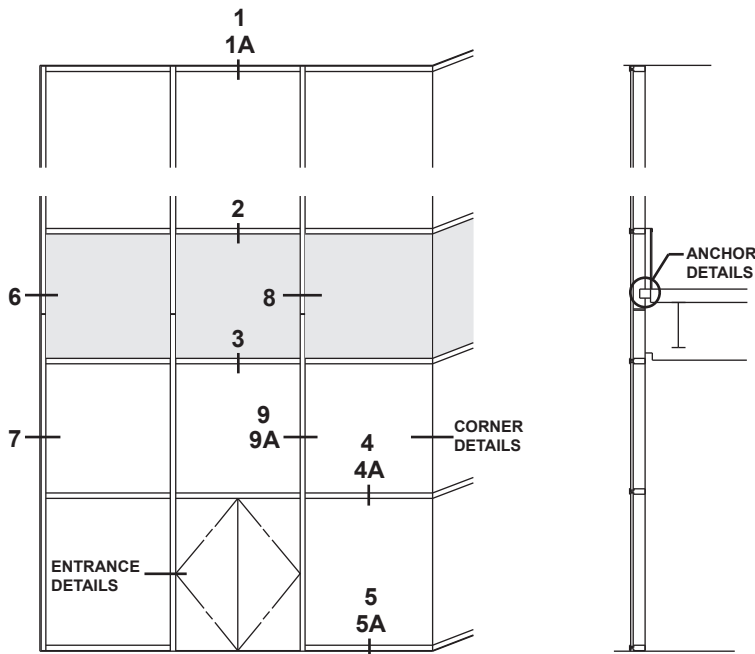
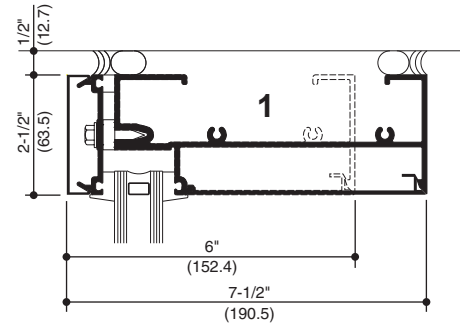
Kawneer reserves the right to change configuration without prior notice when deemed necessary for product improvement.
© 2014, Kawneer Company, Inc.

Additional information and CAD details are available at www.kawneer.com

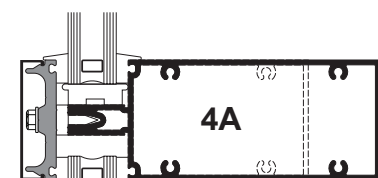
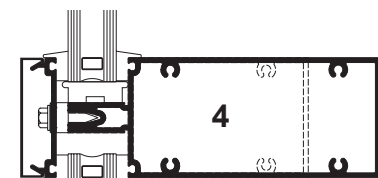
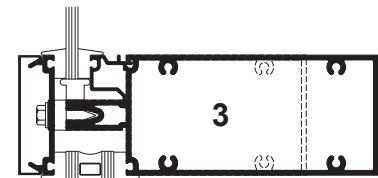
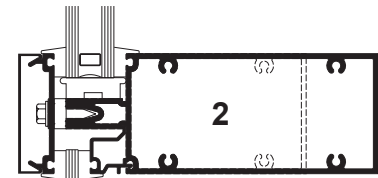
PERIMETER PRESSURE PLATE



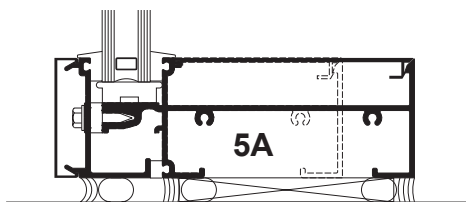
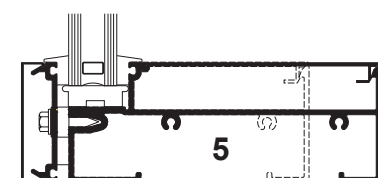
PERIMETER MULLION



ELEVATION IS NUMBER KEYED TO DETAILS



OPTIONAL FIBERGLASS PRESSURE PLATE



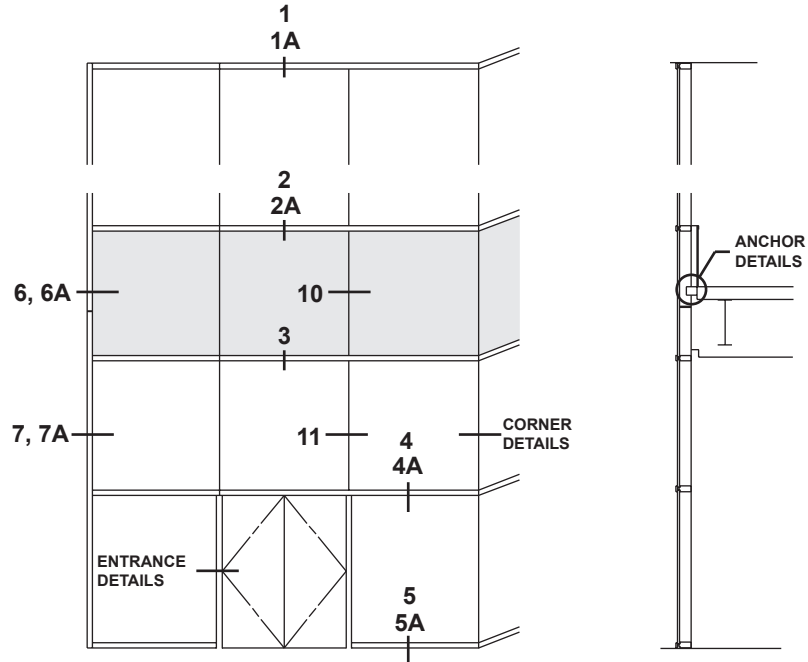
PERIMETER PRESSURE PLATE

PERIMETER MULLION

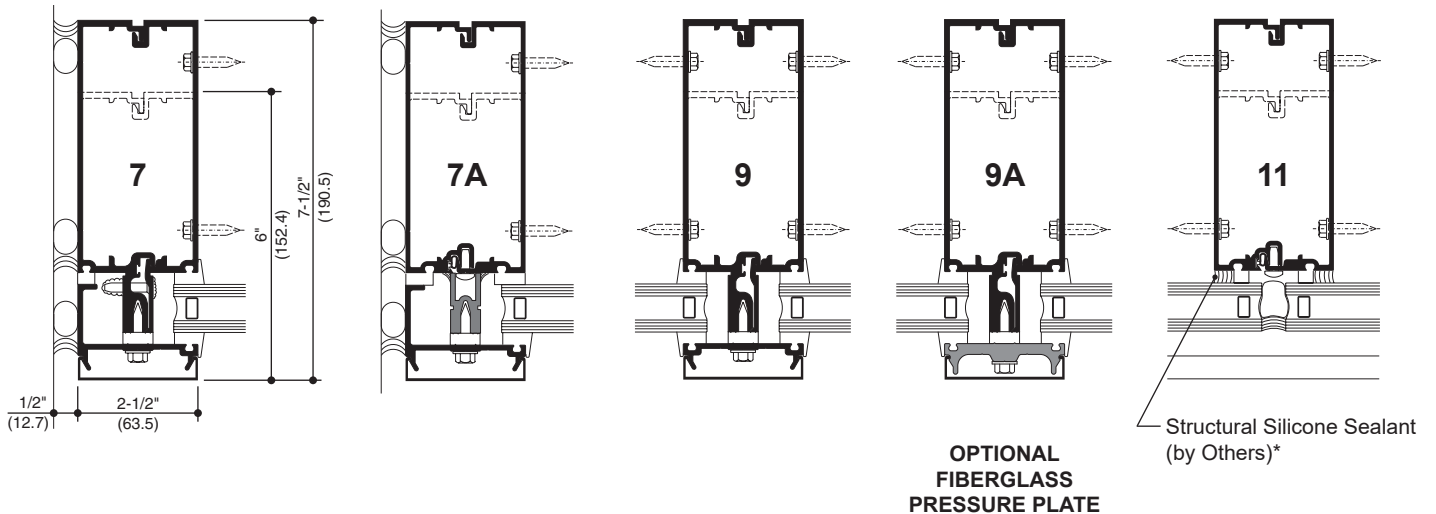
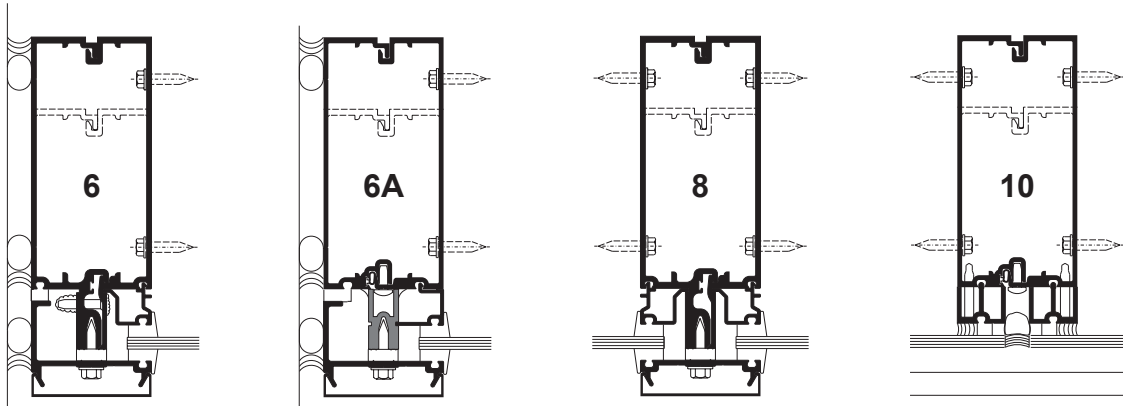
Laws and building and safety codes governing the design and use of Kawneer products, such as glazed entrance, window, and curtain wall products, vary widely. Kawneer does not control the selection of product configurations, operating hardware, or glazing materials, and assumes no responsibility therefor.

Kawneer reserves the right to change configuration without prior notice when deemed necessary for product improvement.
© 2014, Kawneer Company, Inc.

Additional information and CAD details are available at www.kawneer.com



ELEVATION IS NUMBER KEYED TO DETAILS

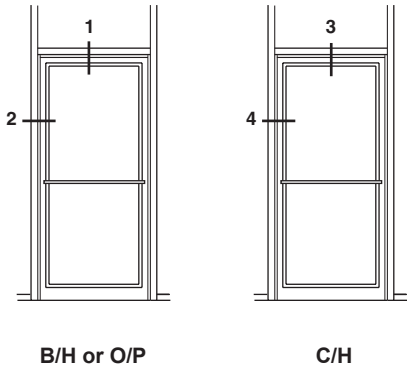


* **INSTALLER NOTE:** Installer is responsible for all required compatibility review and approvals with the Structural Silicone Manufacturer and the Insulating Glass Unit Manufacturer.

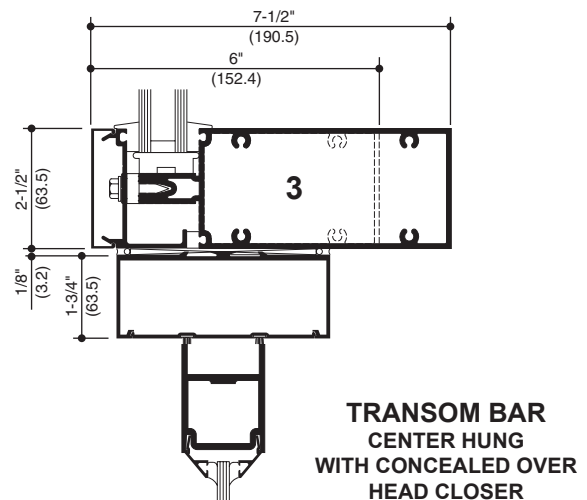
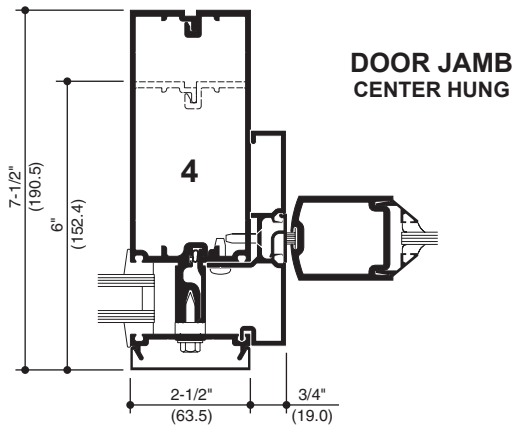
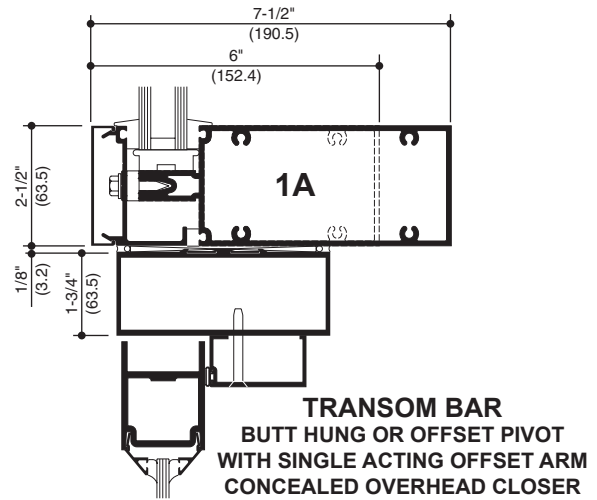
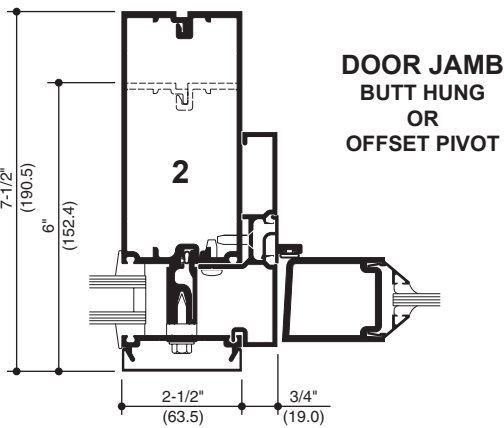
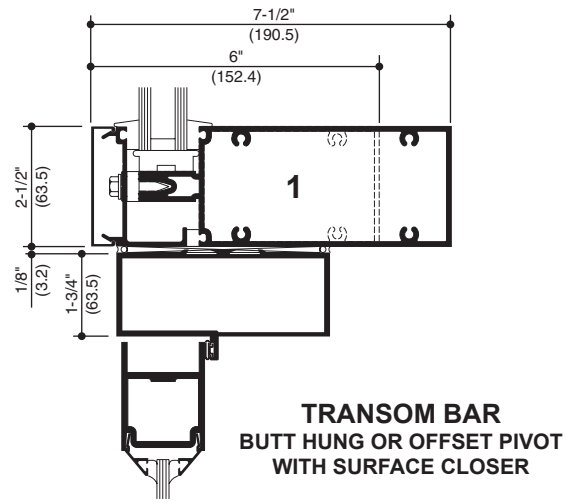
Laws and building and safety codes governing the design and use of Kawneer products, such as glazed entrance, window, and curtain wall products, vary widely. Kawneer does not control the selection of product configurations, operating hardware, or glazing materials, and assumes no responsibility therefor.

Kawneer reserves the right to change configuration without prior notice when deemed necessary for product improvement.
© 2014, Kawneer Company, Inc.

Additional information and CAD details are available at www.kawneer.com



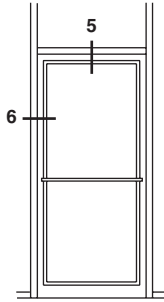
ELEVATION IS NUMBER KEYED TO DETAILS



Laws and building and safety codes governing the design and use of Kawneer products, such as glazed entrance, window, and curtain wall products, vary widely. Kawneer does not control the selection of product configurations, operating hardware, or glazing materials, and assumes no responsibility therefor.

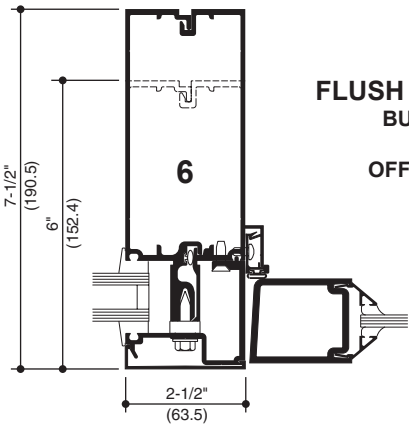
Kawneer reserves the right to change configuration without prior notice when deemed necessary for product improvement.
© 2014, Kawneer Company, Inc.

Additional information and CAD details are available at www.kawneer.com

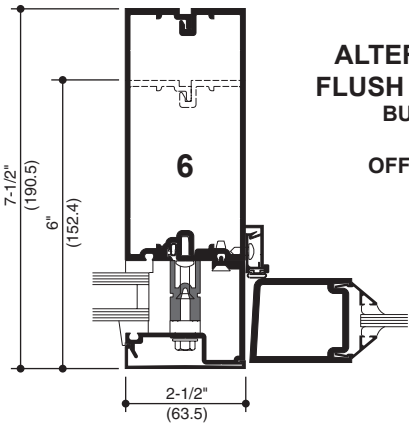


B/H or O/P

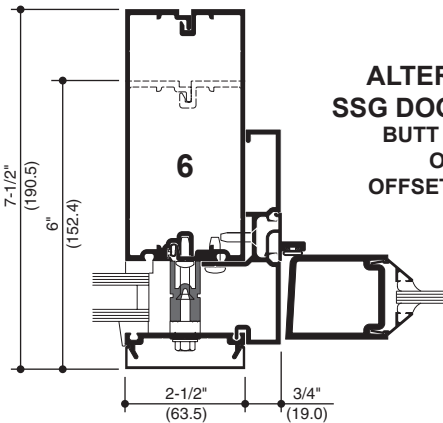
ELEVATION IS NUMBER KEYED TO DETAILS



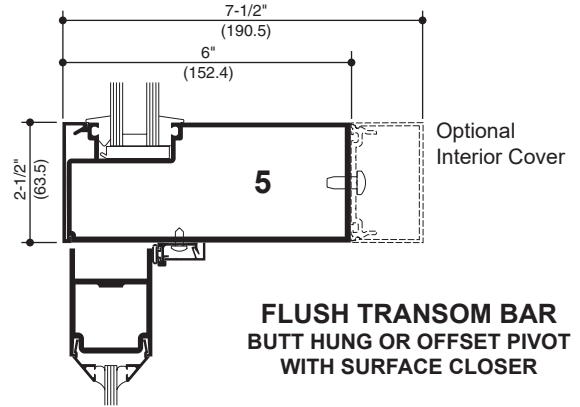
**FLUSH DOOR JAMB
BUTT HUNG
OR
OFFSET PIVOT**



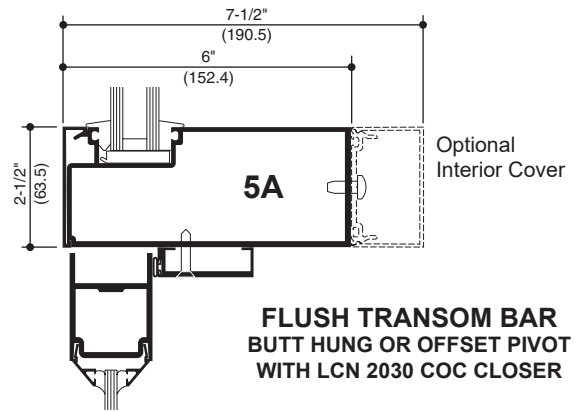
**ALTERNATE SSG
FLUSH DOOR JAMB
BUTT HUNG
OR
OFFSET PIVOT**



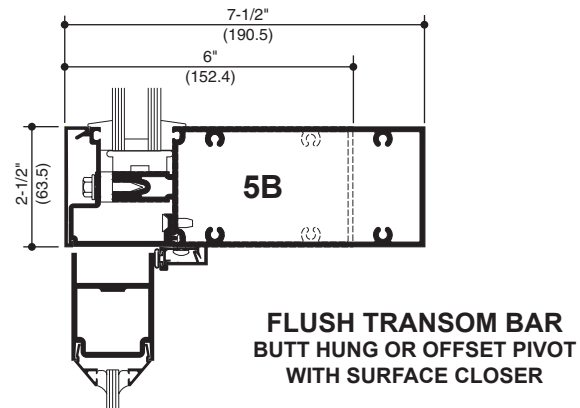
**ALTERNATE
SSG DOOR JAMB
BUTT HUNG
OR
OFFSET PIVOT**



**FLUSH TRANSOM BAR
BUTT HUNG OR OFFSET PIVOT
WITH SURFACE CLOSER**



**FLUSH TRANSOM BAR
BUTT HUNG OR OFFSET PIVOT
WITH LCN 2030 COC CLOSER**



**FLUSH TRANSOM BAR
BUTT HUNG OR OFFSET PIVOT
WITH SURFACE CLOSER**

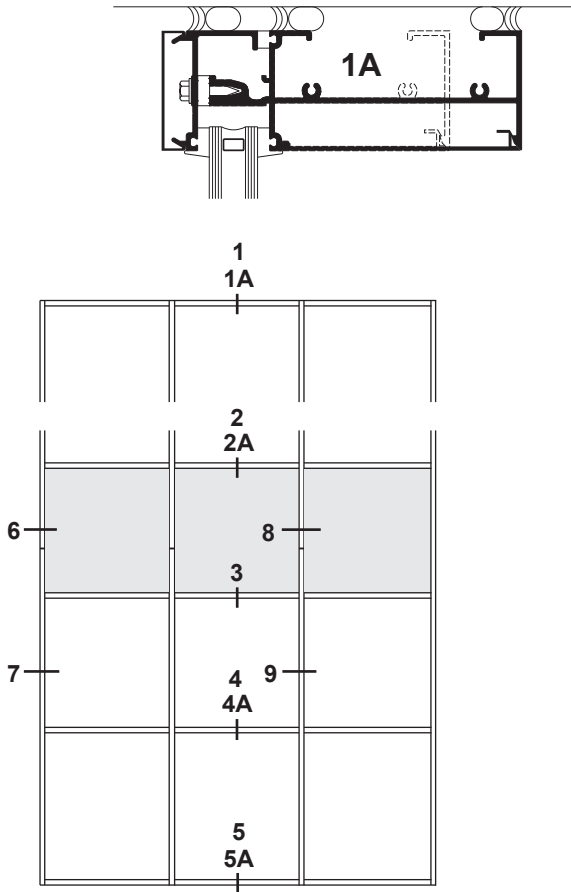
Laws and building and safety codes governing the design and use of Kawneer products, such as glazed entrance, window, and curtain wall products, vary widely. Kawneer does not control the selection of product configurations, operating hardware, or glazing materials, and assumes no responsibility therefor.

Kawneer reserves the right to change configuration without prior notice when deemed necessary for product improvement.
© 2014, Kawneer Company, Inc.

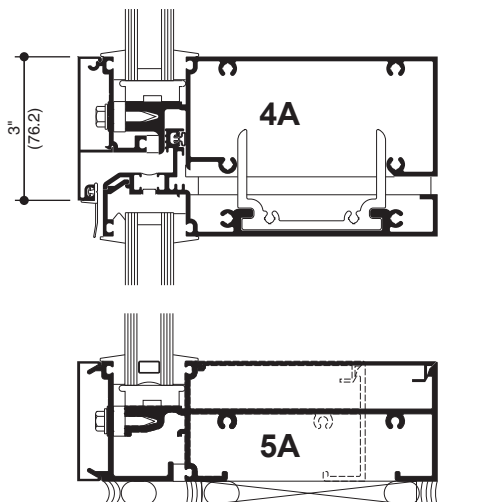
Additional information and CAD details are available at www.kawneer.com

NOTE: SEE PAGE 7 FOR VERTICAL MULLION DETAILS

PERIMETER PRESSURE PLATE

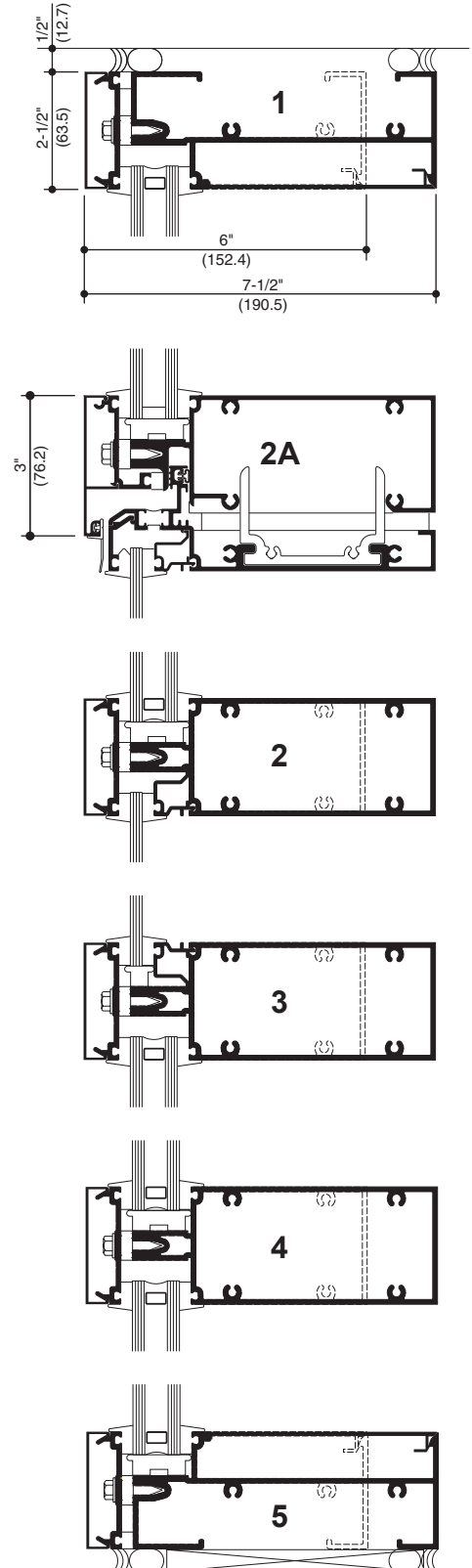


ELEVATION IS NUMBER KEYED TO DETAILS



PERIMETER PRESSURE PLATE

PERIMETER MULLION



PERIMETER MULLION

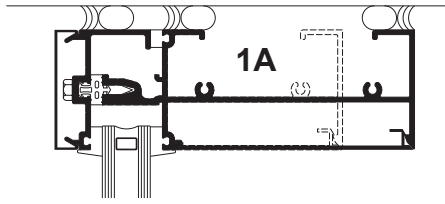
Laws and building and safety codes governing the design and use of Kawneer products, such as glazed entrance, window, and curtain wall products, vary widely. Kawneer does not control the selection of product configurations, operating hardware, or glazing materials, and assumes no responsibility therefor.

Kawneer reserves the right to change configuration without prior notice when deemed necessary for product improvement.
© 2014, Kawneer Company, Inc.

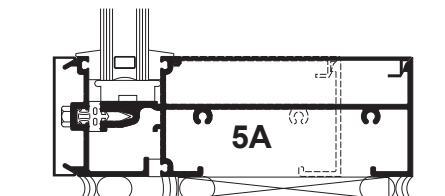
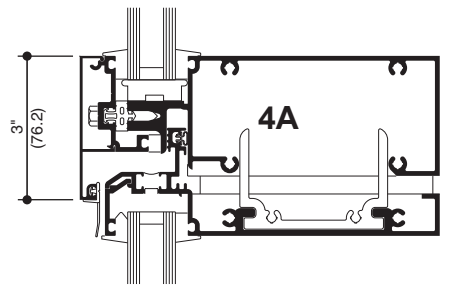
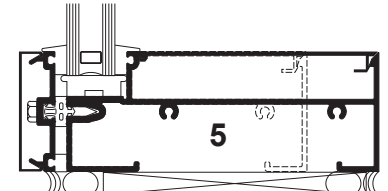
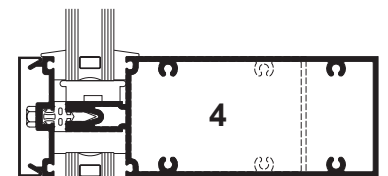
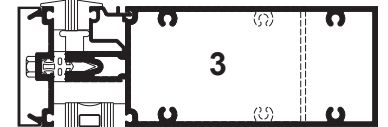
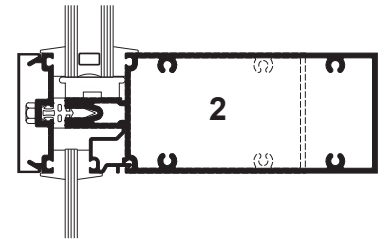
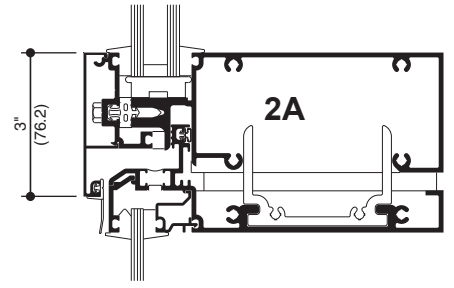
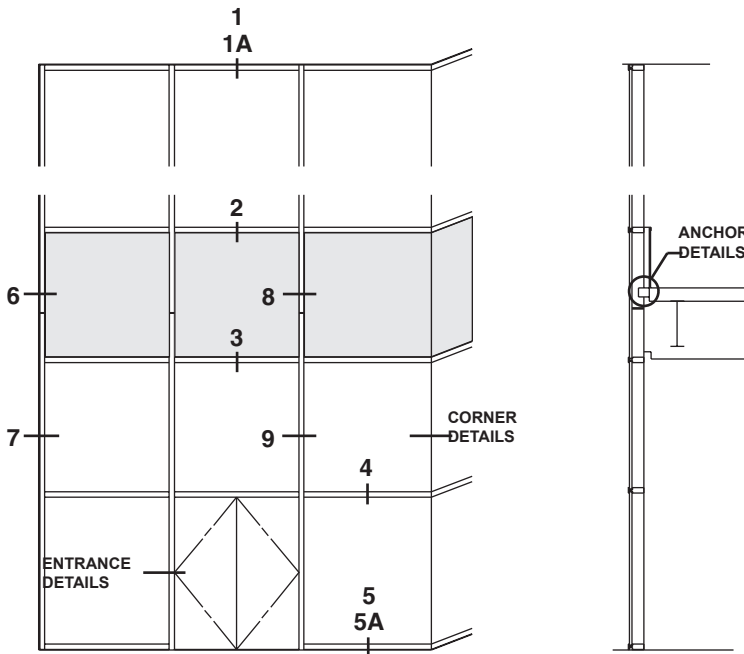
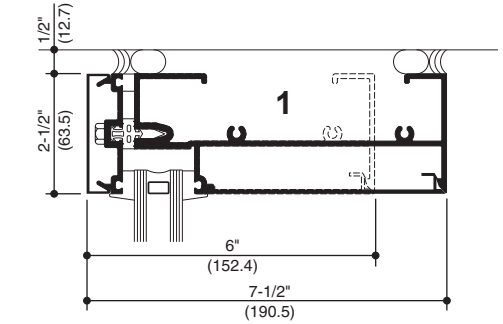
Additional information and CAD details are available at www.kawneer.com

(RTS) - Reversed Thermal Separator

PERIMETER PRESSURE PLATE



PERIMETER MULLION



PERIMETER PRESSURE PLATE

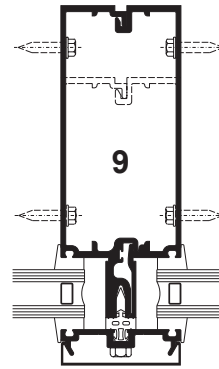
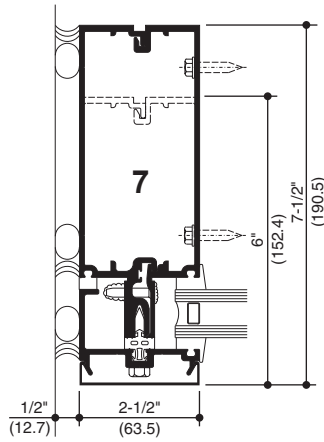
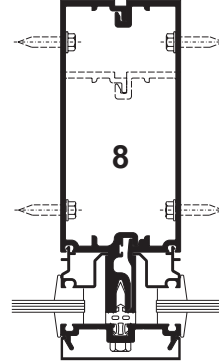
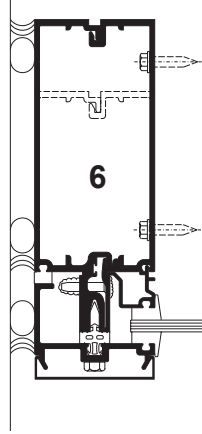
PERIMETER MULLION

Laws and building and safety codes governing the design and use of Kawneer products, such as glazed entrance, window, and curtain wall products, vary widely. Kawneer does not control the selection of product configurations, operating hardware, or glazing materials, and assumes no responsibility therefor.

Kawneer reserves the right to change configuration without prior notice when deemed necessary for product improvement.
© 2014, Kawneer Company, Inc.

Additional information and CAD details are available at www.kawneer.com

(RTS) - Reversed Thermal Separator

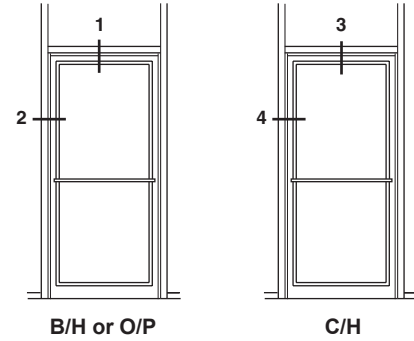
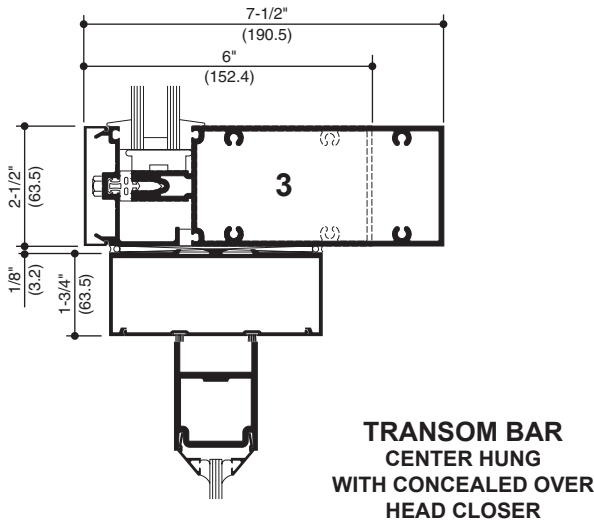
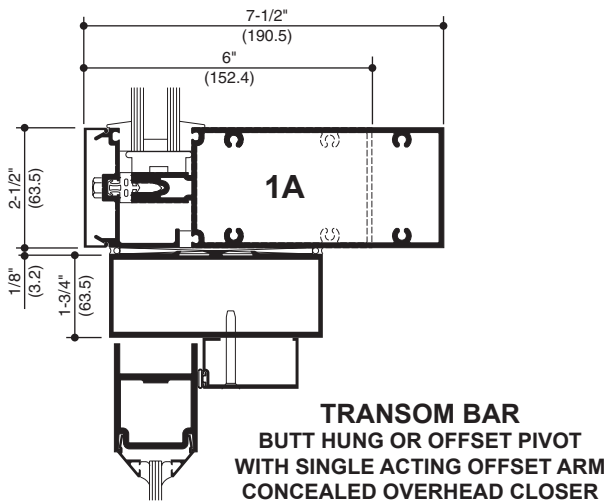
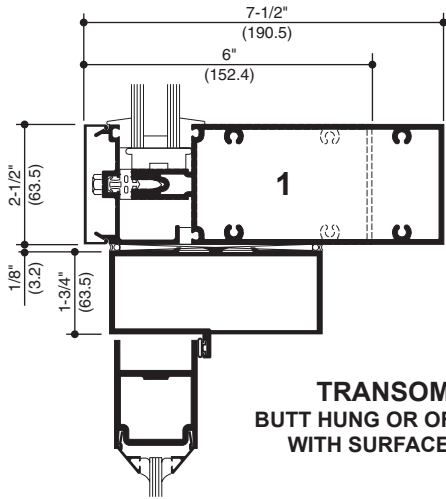


Laws and building and safety codes governing the design and use of Kawneer products, such as glazed entrance, window, and curtain wall products, vary widely. Kawneer does not control the selection of product configurations, operating hardware, or glazing materials, and assumes no responsibility therefor.

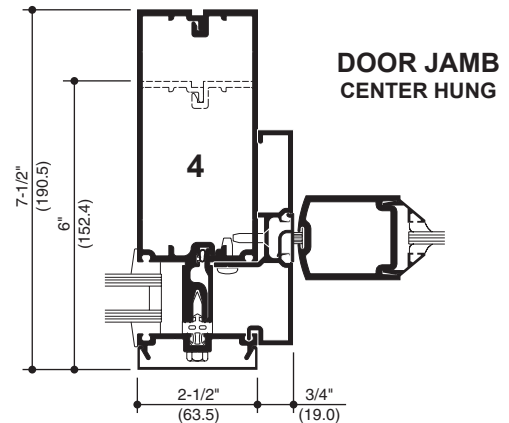
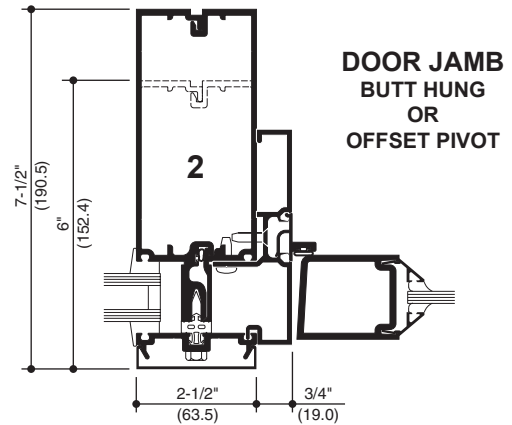
Kawneer reserves the right to change configuration without prior notice when deemed necessary for product improvement.
© 2014, Kawneer Company, Inc.

Additional information and CAD details are available at www.kawneer.com

(RTS) - Reversed Thermal Separator



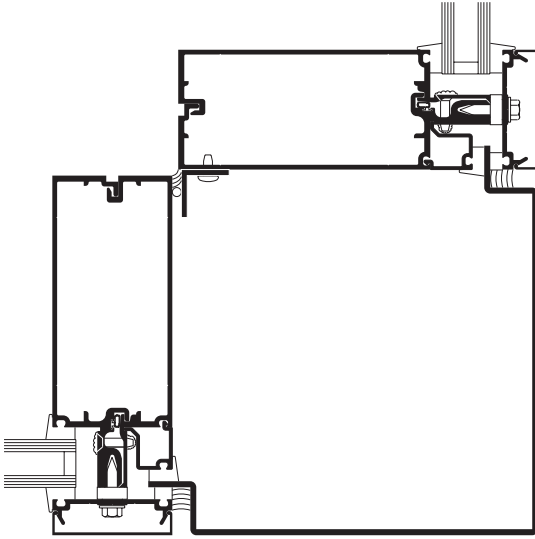
(RTS) ENTRANCE ELEVATION
ELEVATION IS NUMBER KEYED TO DETAILS



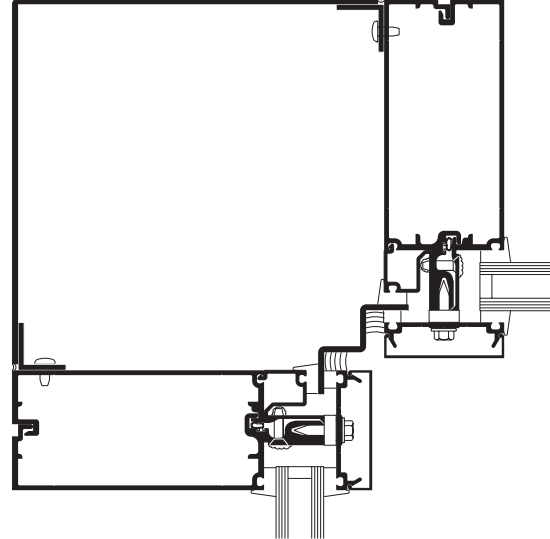
Laws and building and safety codes governing the design and use of Kawneer products, such as glazed entrance, window, and curtain wall products, vary widely. Kawneer does not control the selection of product configurations, operating hardware, or glazing materials, and assumes no responsibility therefor.

Kawneer reserves the right to change configuration without prior notice when deemed necessary for product improvement.
© 2014, Kawneer Company, Inc.

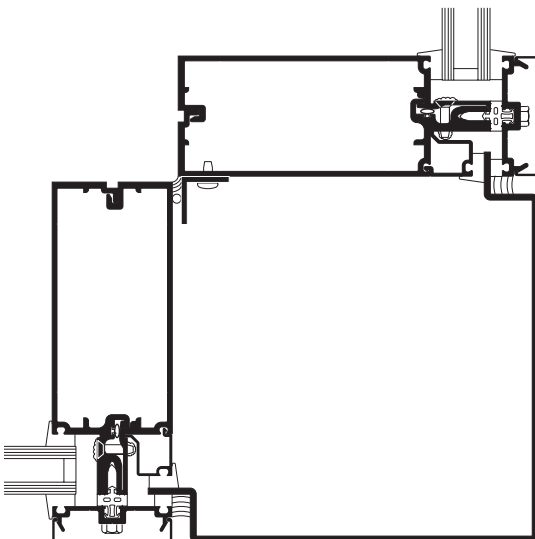
Additional information and CAD details are available at www.kawneer.com



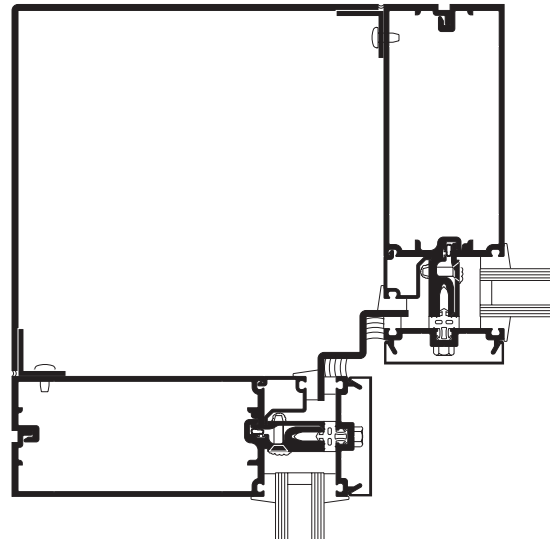
90° OUTSIDE CORNER



90° INSIDE CORNER



90° OUTSIDE CORNER (RTS)

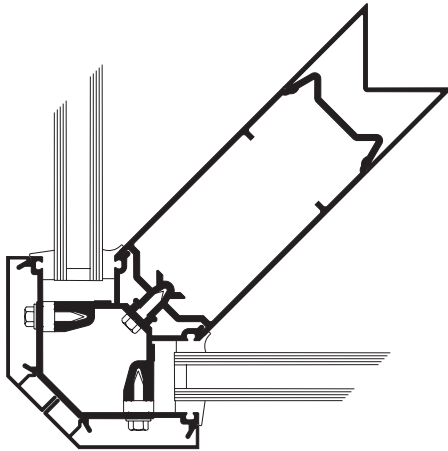


90° INSIDE CORNER (RTS)

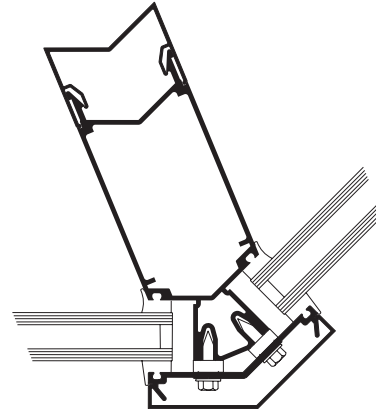
Laws and building and safety codes governing the design and use of Kawneer products, such as glazed entrance, window, and curtain wall products, vary widely. Kawneer does not control the selection of product configurations, operating hardware, or glazing materials, and assumes no responsibility therefor.

Kawneer reserves the right to change configuration without prior notice when deemed necessary for product improvement.
© 2014, Kawneer Company, Inc.

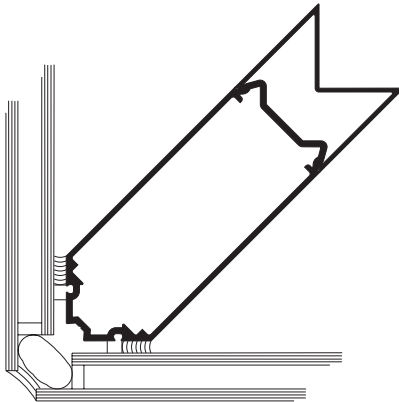
Additional information and CAD details are available at www.kawneer.com



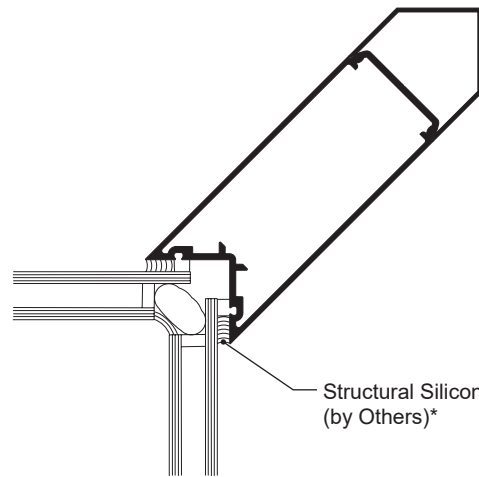
90° OUTSIDE CORNER



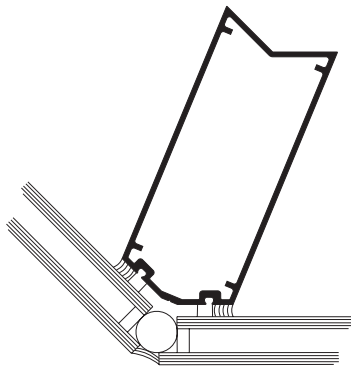
135° OUTSIDE CORNER



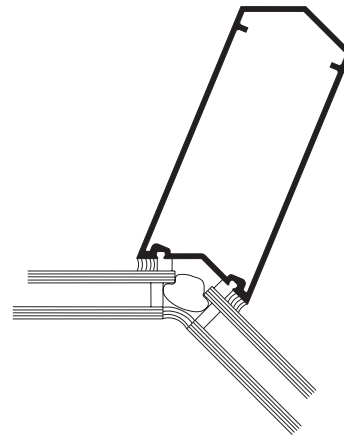
90° OUTSIDE SSG CORNER



90° INSIDE SSG CORNER



135° OUTSIDE SSG CORNER



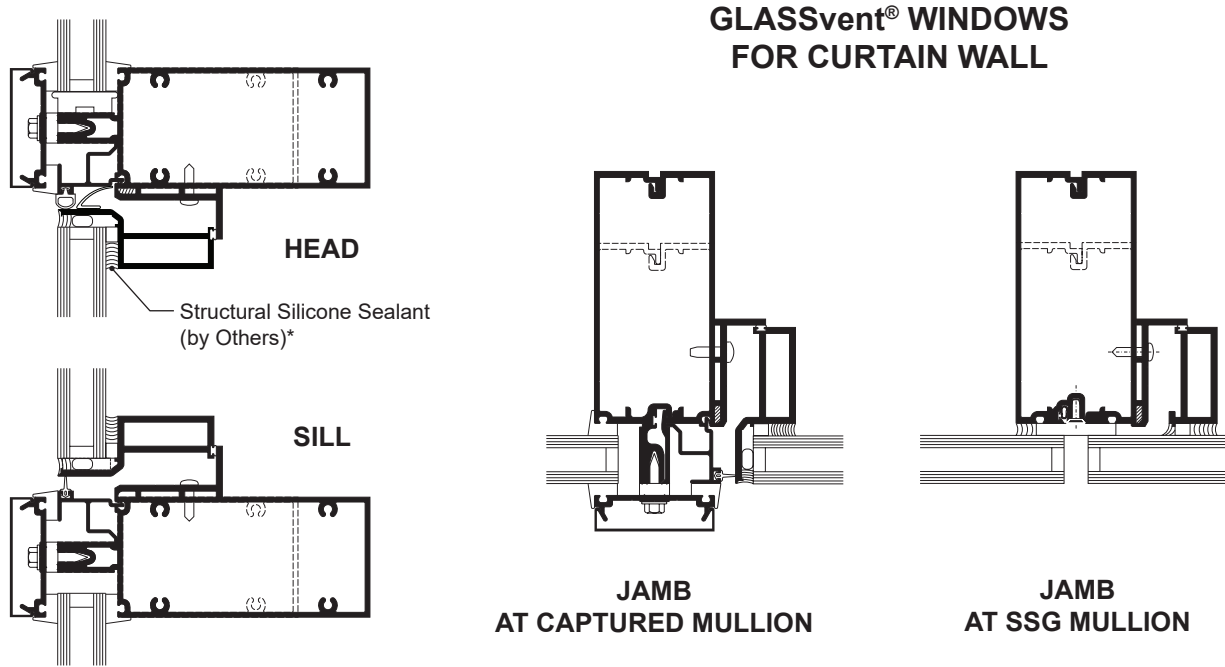
135° INSIDE SSG CORNER

* INSTALLER NOTE: Installer is responsible for all required compatibility review and approvals with the Structural Silicone Manufacturer and the Insulating Glass Unit Manufacturer.

Laws and building and safety codes governing the design and use of Kawneer products, such as glazed entrance, window, and curtain wall products, vary widely. Kawneer does not control the selection of product configurations, operating hardware, or glazing materials, and assumes no responsibility therefor.

Kawneer reserves the right to change configuration without prior notice when deemed necessary for product improvement.
© 2014, Kawneer Company, Inc.

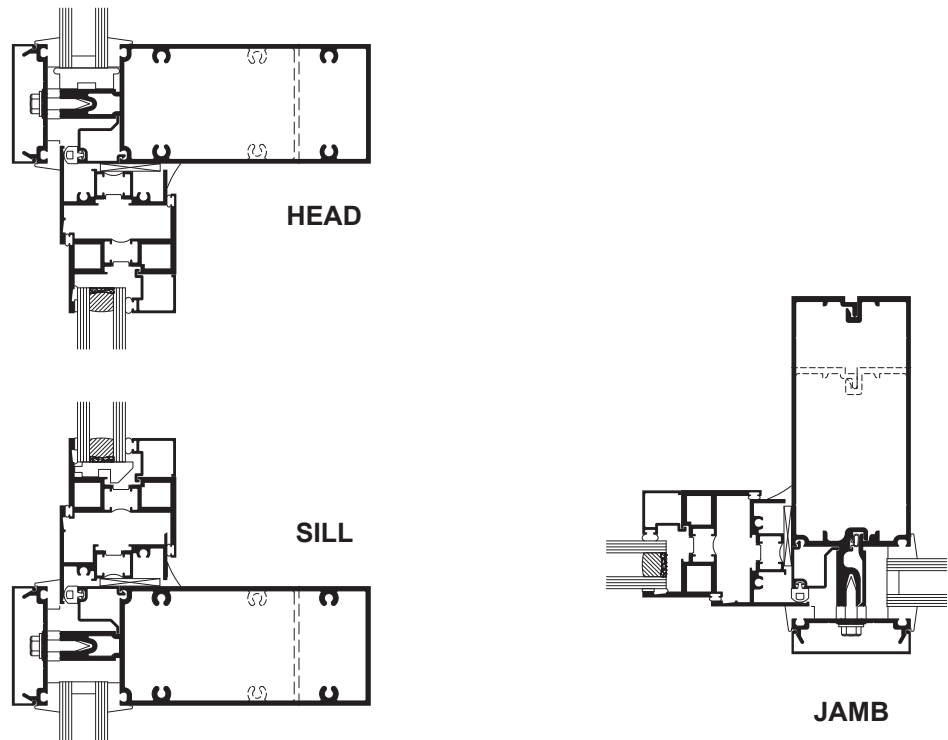
Additional information and CAD details are available at www.kawneer.com



* **INSTALLER NOTE:** Installer is responsible for all required compatibility review and approvals with the Structural Silicone Manufacturer and the Insulating Glass Unit Manufacturer.

8225TL THERMAL WINDOWS

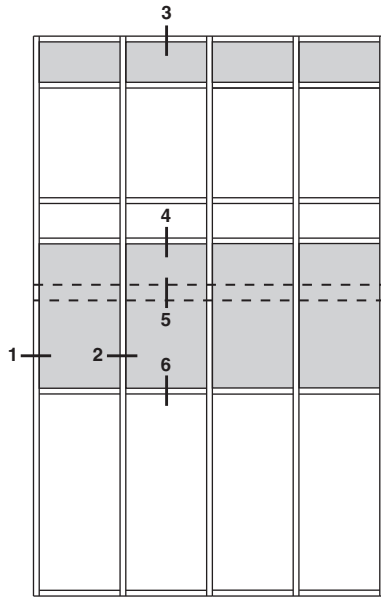
NOTE: Other vent types can be accommodated. Contact your Kawneer representative for other options.



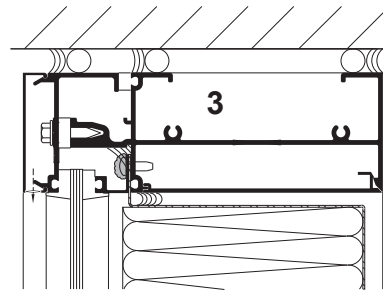
Laws and building and safety codes governing the design and use of Kawneer products, such as glazed entrance, window, and curtain wall products, vary widely. Kawneer does not control the selection of product configurations, operating hardware, or glazing materials, and assumes no responsibility therefor.

Kawneer reserves the right to change configuration without prior notice when deemed necessary for product improvement.
© 2014, Kawneer Company, Inc.

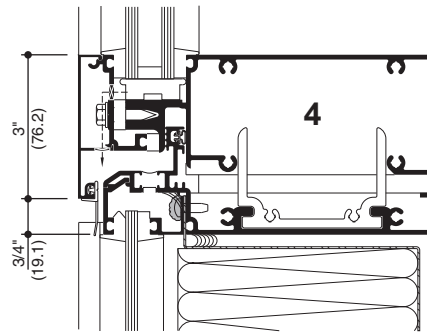
Additional information and CAD details are available at www.kawneer.com



ELEVATION IS NUMBER KEYED TO DETAILS

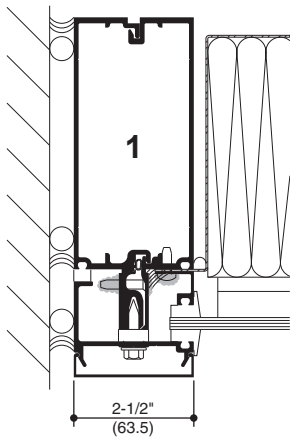


HEAD

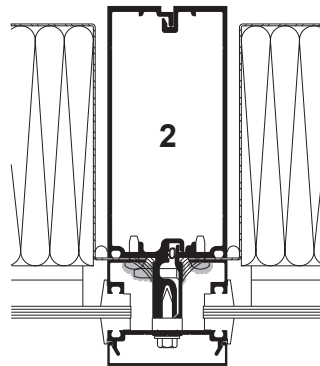


EXPANSION JOINT

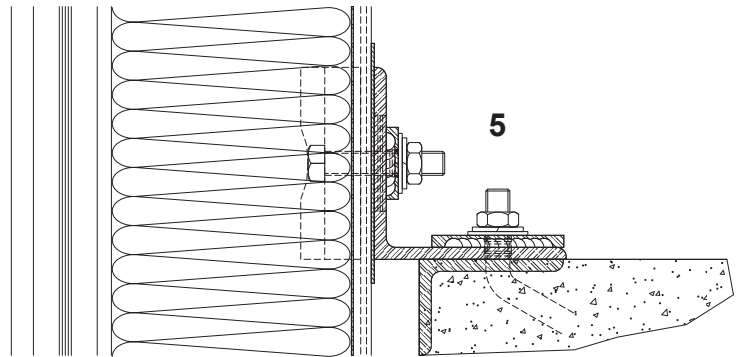
NOTE: 7-1/2" SYSTEM SHOWN, 6" SYSTEM SIMILAR



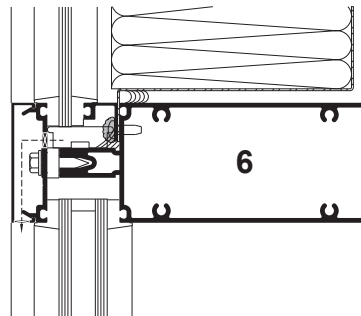
JAMB MULLION AT SPANDREL



MULLION AT SPANDREL



TYPICAL DEADLOAD ANCHOR

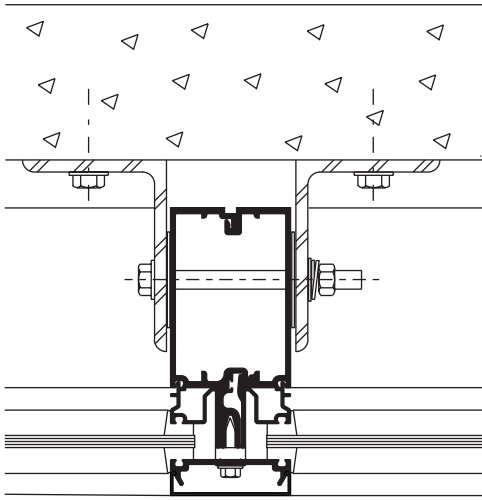


TRANSOM - SPANDREL OVER VISION

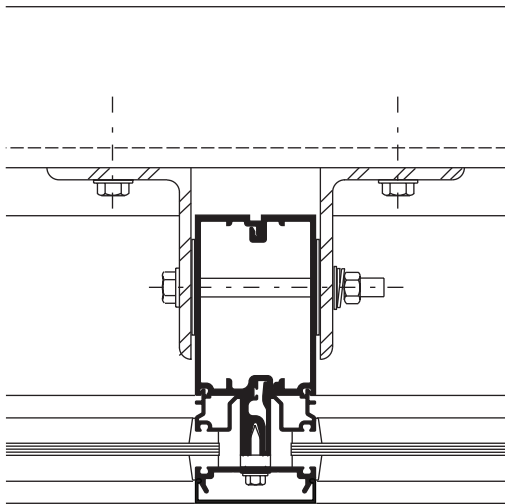
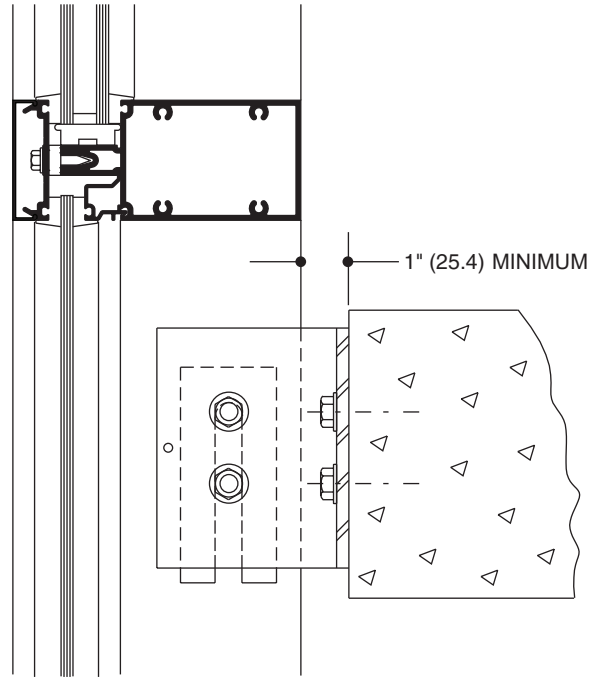
Laws and building and safety codes governing the design and use of Kawneer products, such as glazed entrance, window, and curtain wall products, vary widely. Kawneer does not control the selection of product configurations, operating hardware, or glazing materials, and assumes no responsibility therefor.

Kawneer reserves the right to change configuration without prior notice when deemed necessary for product improvement.
© 2014, Kawneer Company, Inc.

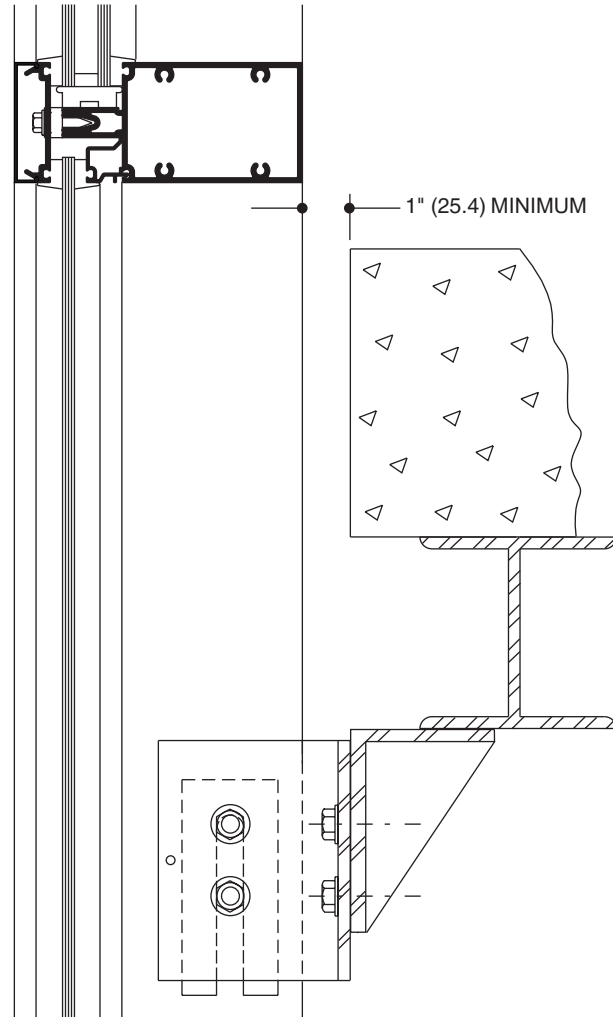
Actual project conditions will determine specific anchor design. Details on this page are for reference only.



ANCHORING TO FLOOR SLAB



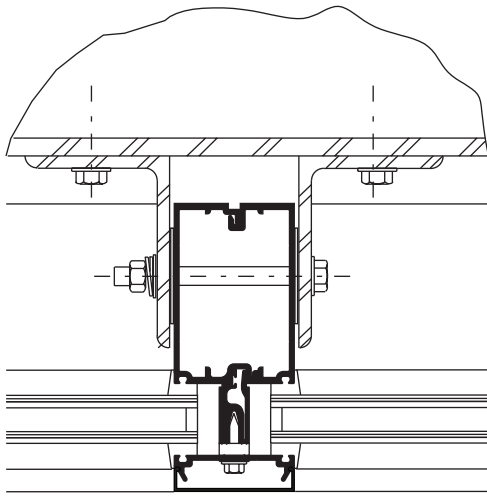
ANCHORING TO SUPPORT STEEL



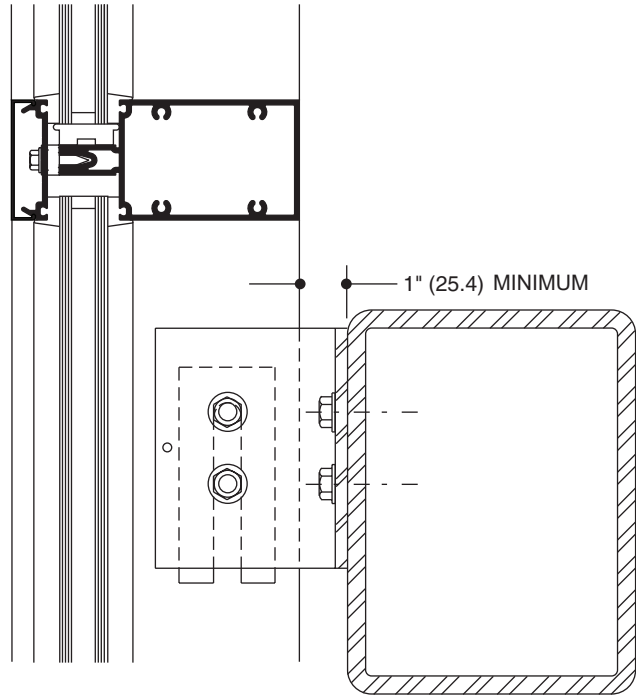
Laws and building and safety codes governing the design and use of Kawneer products, such as glazed entrance, window, and curtain wall products, vary widely. Kawneer does not control the selection of product configurations, operating hardware, or glazing materials, and assumes no responsibility therefor.

Kawneer reserves the right to change configuration without prior notice when deemed necessary for product improvement.
© 2014, Kawneer Company, Inc.

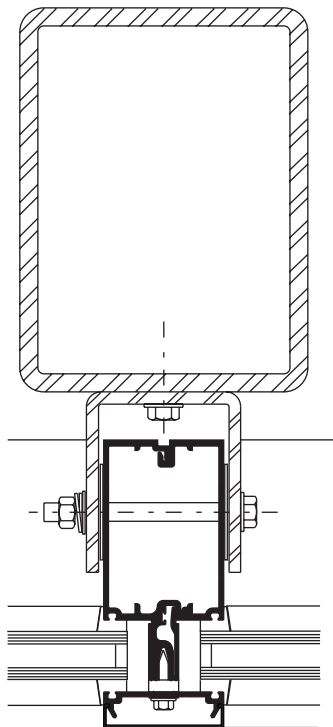
Actual project conditions will determine specific anchor design. Details on this page are for reference only.



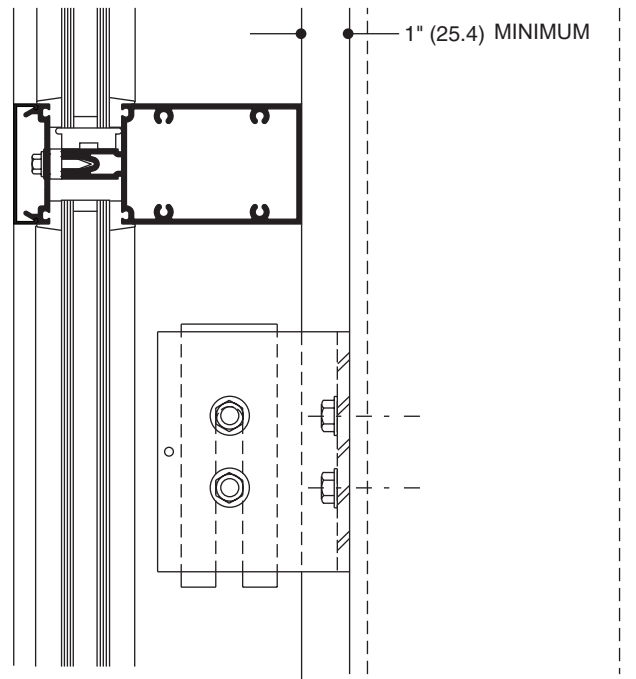
ANCHORING TO HORIZONTAL STRUCTURAL STEEL



Laws and building and safety codes governing the design and use of Kawneer products, such as glazed entrance, window, and curtain wall products, vary widely. Kawneer does not control the selection of product configurations, operating hardware, or glazing materials, and assumes no responsibility therefor.



ANCHORING TO VERTICAL STRUCTURAL STEEL



Kawneer reserves the right to change configuration without prior notice when deemed necessary for product improvement.
© 2014, Kawneer Company, Inc.

WIND LOAD CHARTS

Mullions are designed for deflection limitations in accordance with AAMA TIR-A11 of $L/175$ up to 13' 6" and $L/240 + 1/4"$ above 13' 6". These curves are for mullions WITH HORIZONTALS and are based on engineering calculations for stress and deflection. Allowable wind load stress for ALUMINUM 15,152 psi (104 MPa), STEEL 30,000 psi (207 MPa). Charted curves, in all cases are for the limiting value. Wind load charts contained herein are based upon nominal wind load utilized in allowable stress design. A conversion from Load Resistance Factor Design (LRFD) is provided. To convert ultimate wind loads to nominal loads, multiply ultimate wind loads by a factor of 0.6 per ASCE/SEI 7. A $4/3$ increase in allowable stress has not been used to develop these curves. For special situations not covered by these curves, contact your Kawneer representative for additional information.

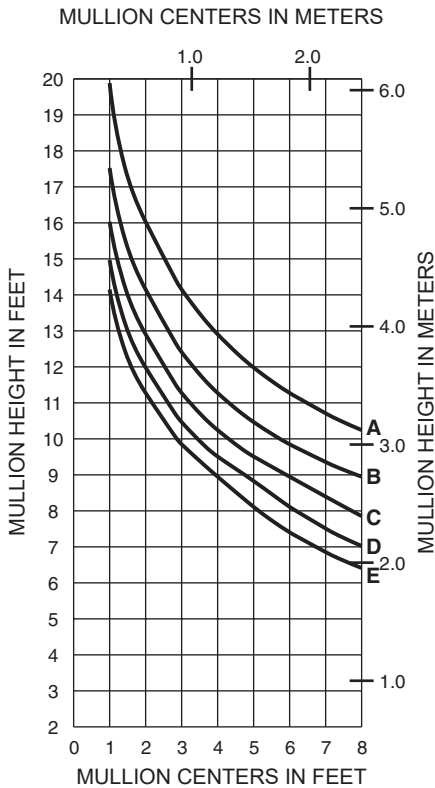
DEADLOAD CHARTS

Horizontal or deadload limitations are based upon $1/8"$ (3.2), maximum allowable deflection at the center of an intermediate horizontal member. The accompanying charts are calculated for $1"$ (25.4) thick insulating glass or $1/4"$ (6.4) thick glass supported on two setting blocks placed at the loading points shown.

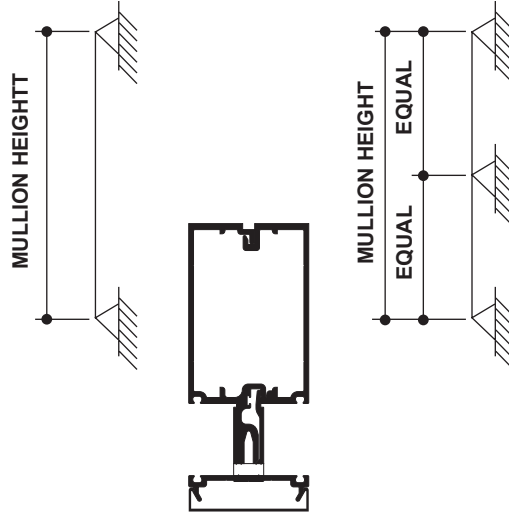
Laws and building and safety codes governing the design and use of Kawneer products, such as glazed entrance, window, and curtain wall products, vary widely. Kawneer does not control the selection of product configurations, operating hardware, or glazing materials, and assumes no responsibility therefor.

Kawneer reserves the right to change configuration without prior notice when deemed necessary for product improvement.
© 2014, Kawneer Company, Inc.

SINGLE SPAN

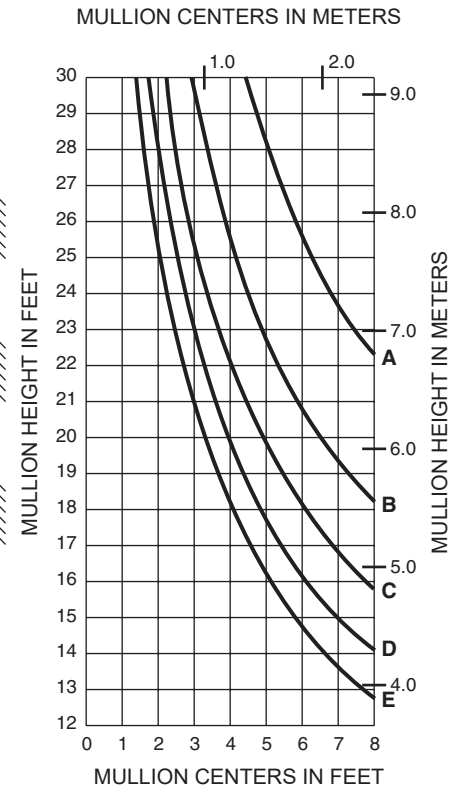


| | Allowable Stress Design Load | LRFD Ultimate Design Load |
|-----|------------------------------|---------------------------|
| A = | 20 PSF (960) | 33 PSF (1580) |
| B = | 30 PSF (1440) | 50 PSF (2400) |
| C = | 40 PSF (1920) | 67 PSF (3200) |
| D = | 50 PSF (2400) | 83 PSF (4000) |
| E = | 60 PSF (2880) | 100 PSF (4790) |

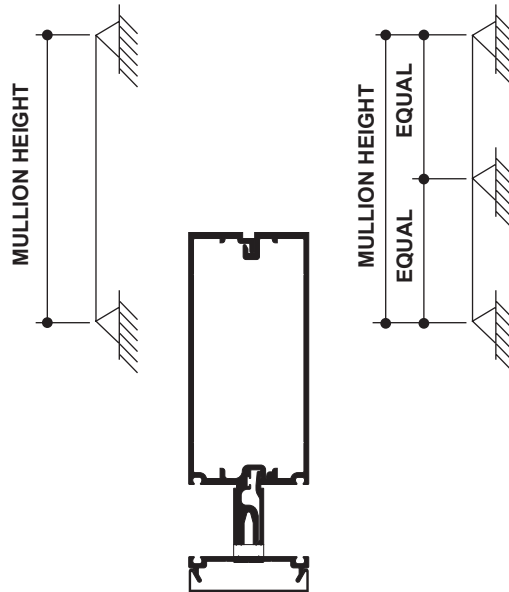
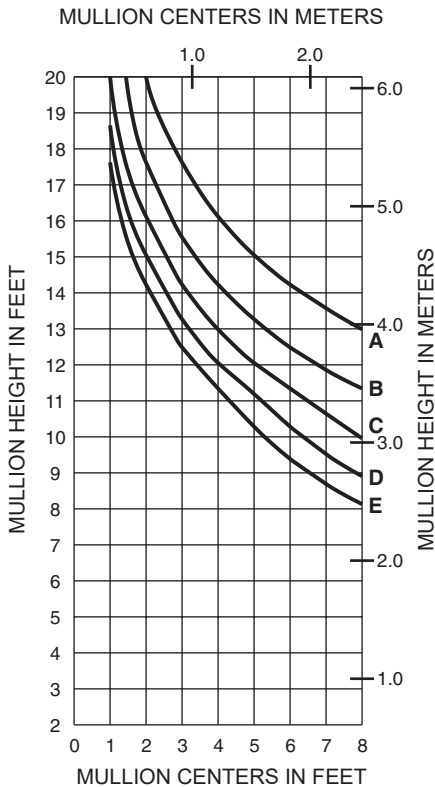


169001 169002
 $I = 5.652 (235.25 \times 10^4)$
 $S = 1.954 (32.02 \times 10^3)$

TWIN SPAN

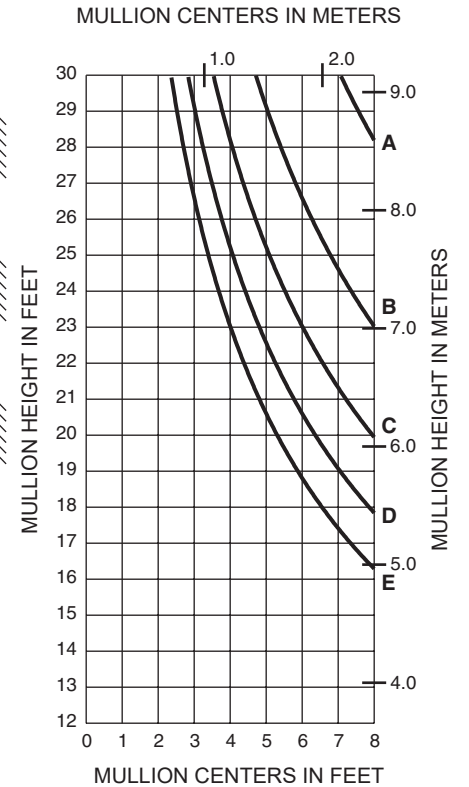


SINGLE SPAN



169003 169004
 $I = 11.512 (479.16 \times 10^4)$
 $S = 3.141 (51.47 \times 10^3)$

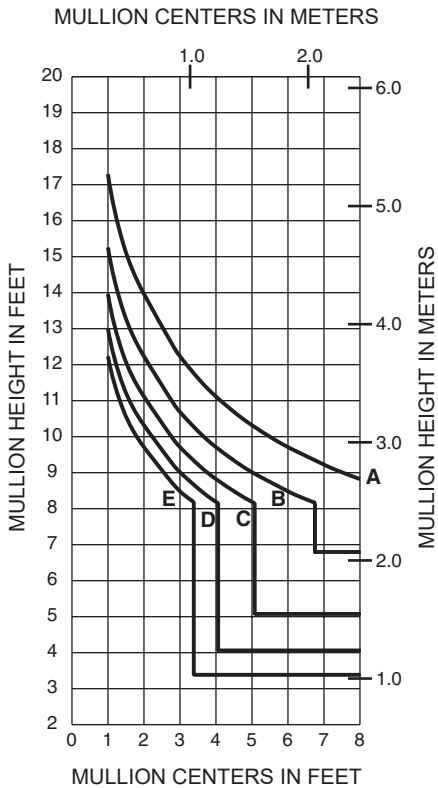
TWIN SPAN



Laws and building and safety codes governing the design and use of Kawneer products, such as glazed entrance, window, and curtain wall products, vary widely. Kawneer does not control the selection of product configurations, operating hardware, or glazing materials, and assumes no responsibility therefor.

Kawneer reserves the right to change configuration without prior notice when deemed necessary for product improvement.
 © 2014, Kawneer Company, Inc.

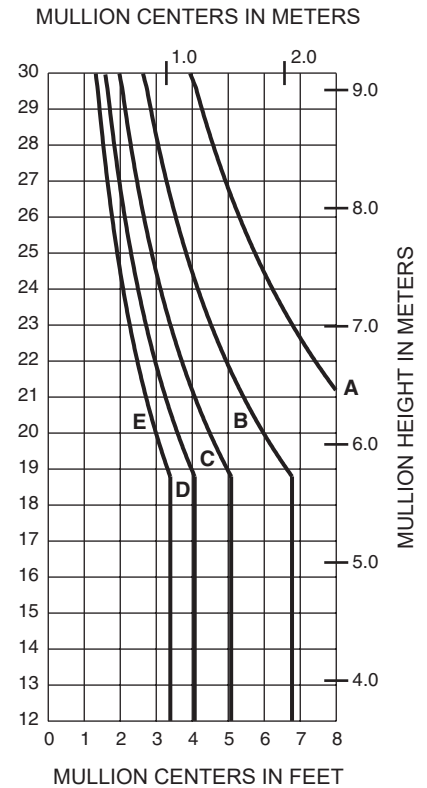
SINGLE SPAN



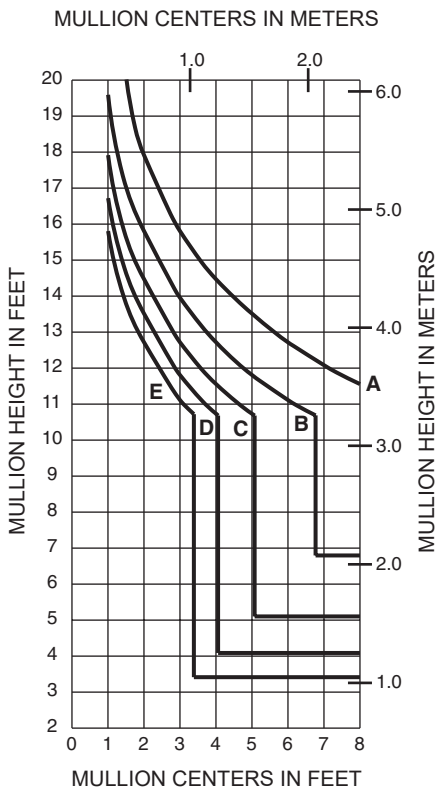
| | Allowable Stress Design Load | LRFD Ultimate Design Load |
|-----|------------------------------|---------------------------|
| A = | 20 PSF (960) | 33 PSF (1580) |
| B = | 30 PSF (1440) | 50 PSF (2400) |
| C = | 40 PSF (1920) | 67 PSF (3200) |
| D = | 50 PSF (2400) | 83 PSF (4000) |
| E = | 60 PSF (2880) | 100 PSF (4790) |

169005 169006
 $I = 3.609 (150.22 \times 10^4)$
 $S = 1.773 (29.05 \times 10^3)$

TWIN SPAN

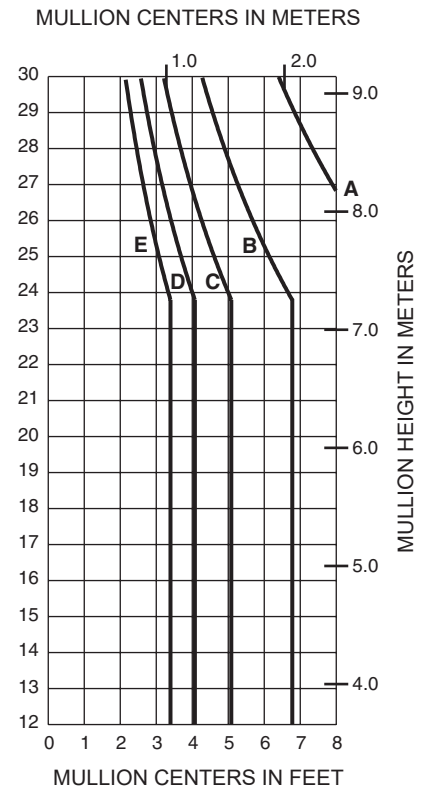


SINGLE SPAN



169007 169008
 $I = 8.065 (335.69 \times 10^4)$
 $S = 2.842 (46.57 \times 10^3)$

TWIN SPAN

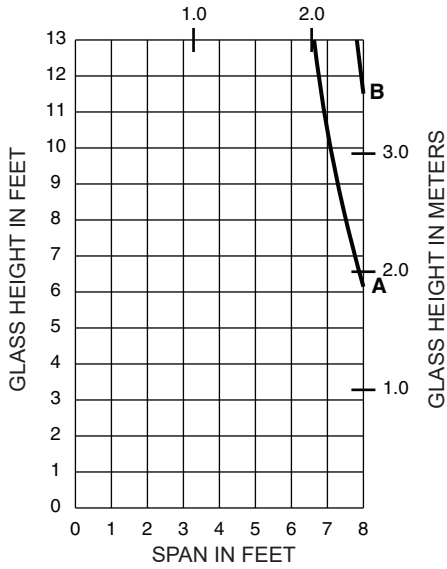


Laws and building and safety codes governing the design and use of Kawneer products, such as glazed entrance, window, and curtain wall products, vary widely. Kawneer does not control the selection of product configurations, operating hardware, or glazing materials, and assumes no responsibility therefor.

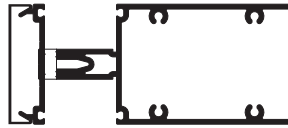
Kawneer reserves the right to change configuration without prior notice when deemed necessary for product improvement.
 © 2014, Kawneer Company, Inc.

(1/4" INFILL)

SPAN IN METERS



A = 1/4 POINT LOADING
B = 1/8 POINT LOADING

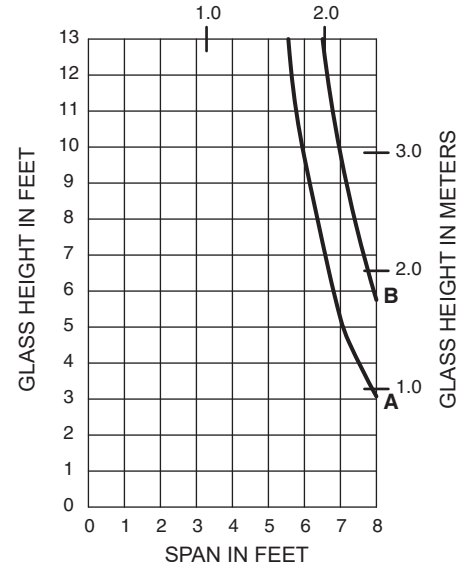


169014

I = 1.620 (67.43 x 10⁴)
S = 1.296 (21.24 x 10³)

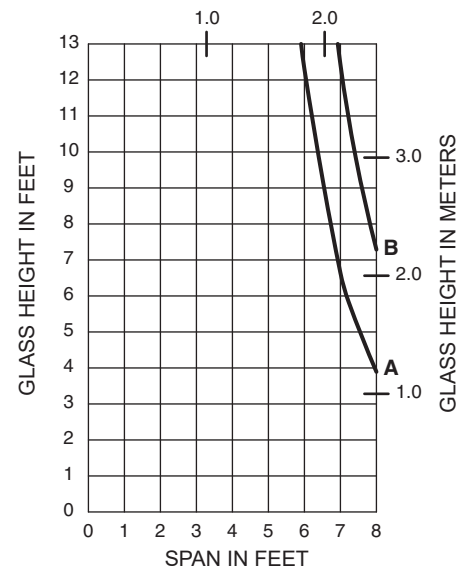
(1" INFILL)

SPAN IN METERS

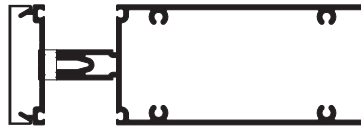


(1" INFILL)

SPAN IN METERS



A = 1/4 POINT LOADING
B = 1/8 POINT LOADING

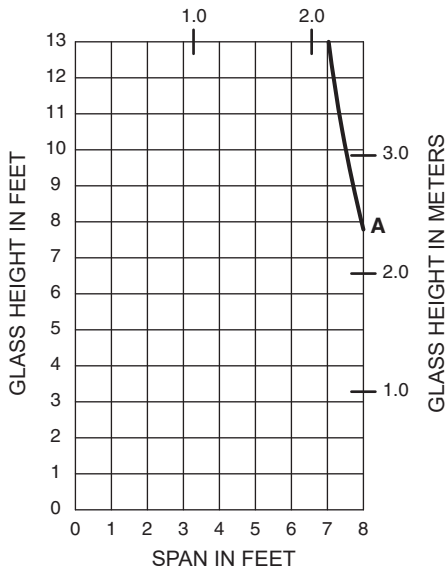


169017

I = 2.052 (85.41 x 10⁴)
S = 1.642 (26.91 x 10³)

(1/4" INFILL)

SPAN IN METERS

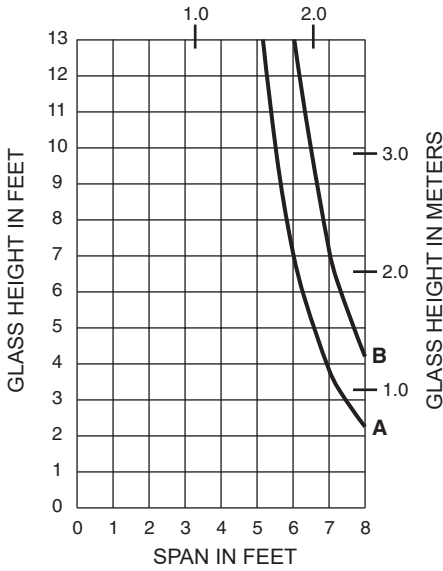


Laws and building and safety codes governing the design and use of Kawneer products, such as glazed entrance, window, and curtain wall products, vary widely. Kawneer does not control the selection of product configurations, operating hardware, or glazing materials, and assumes no responsibility therefor.

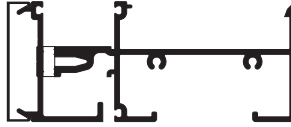
Kawneer reserves the right to change configuration without prior notice when deemed necessary for product improvement.
© 2014, Kawneer Company, Inc.

(1/4" INFILL)

SPAN IN METERS



A = 1/4 POINT LOADING
B = 1/8 POINT LOADING

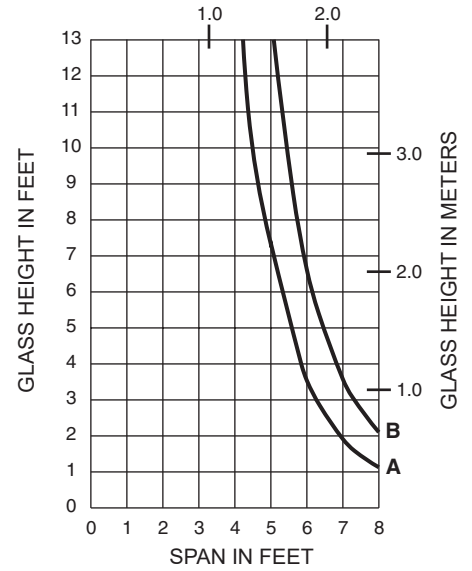


169016

I = 0.589 (24.52 x 10⁴)
S = 0.456 (7.47 x 10³)

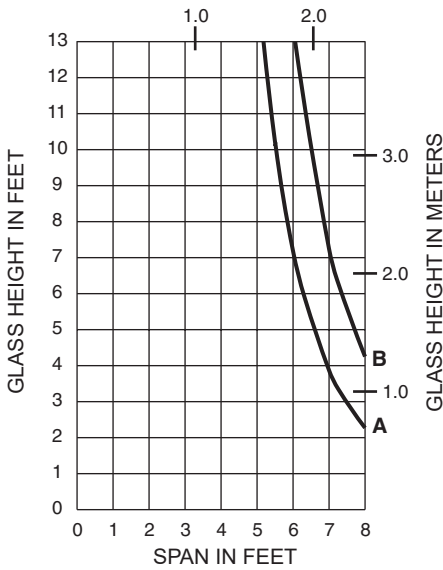
(1" INFILL)

SPAN IN METERS

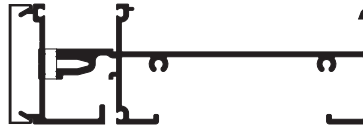


(1/4" INFILL)

SPAN IN METERS



A = 1/4 POINT LOADING
B = 1/8 POINT LOADING

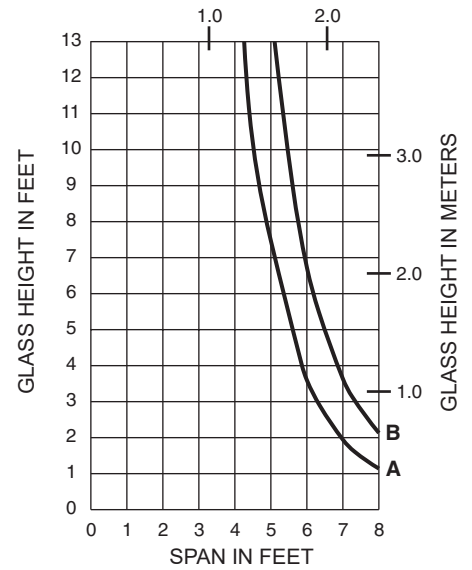


169019

I = 0.598 (24.89 x 10⁴)
S = 0.470 (7.70 x 10³)

(1" INFILL)

SPAN IN METERS

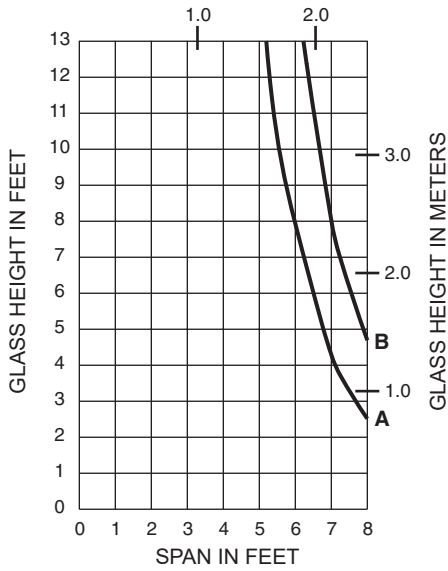


Laws and building and safety codes governing the design and use of Kawneer products, such as glazed entrance, window, and curtain wall products, vary widely. Kawneer does not control the selection of product configurations, operating hardware, or glazing materials, and assumes no responsibility therefor.

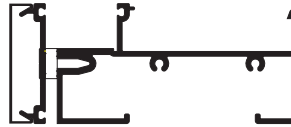
Kawneer reserves the right to change configuration without prior notice when deemed necessary for product improvement.
© 2014, Kawneer Company, Inc.

(1/4" INFILL)

SPAN IN METERS



A = 1/4 POINT LOADING
B = 1/8 POINT LOADING

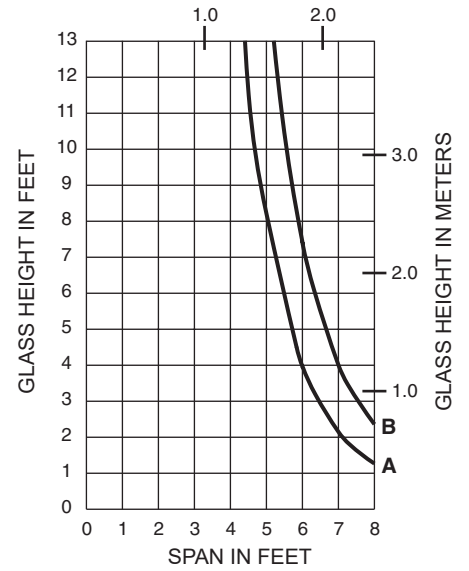


169015

I = 0.659 (27.43 x 10⁴)
S = 0.496 (8.13 x 10³)

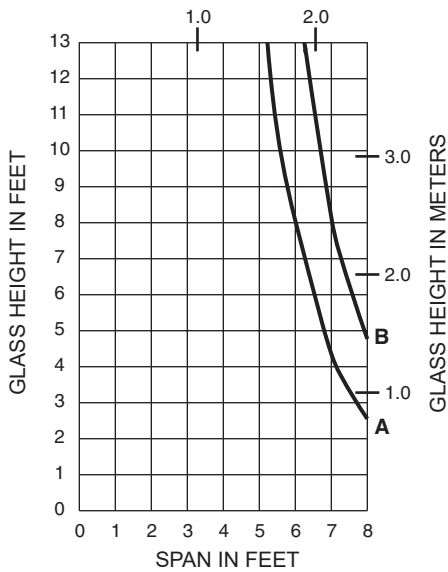
(1" INFILL)

SPAN IN METERS

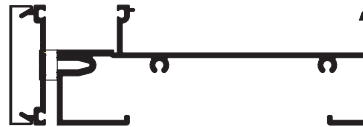


(1/4" INFILL)

SPAN IN METERS



A = 1/4 POINT LOADING
B = 1/8 POINT LOADING

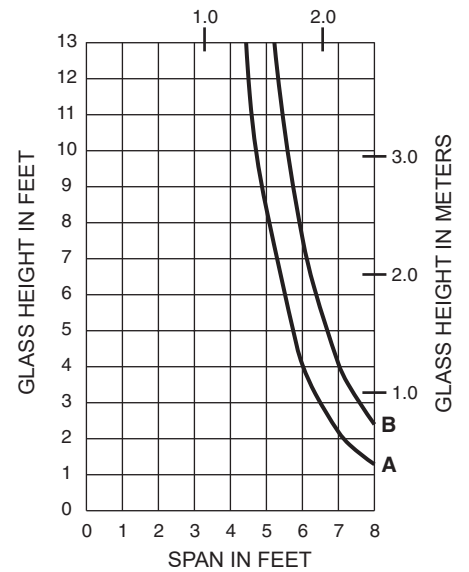


169018

I = 0.671 (27.93 x 10⁴)
S = 0.514 (8.42 x 10³)

(1" INFILL)

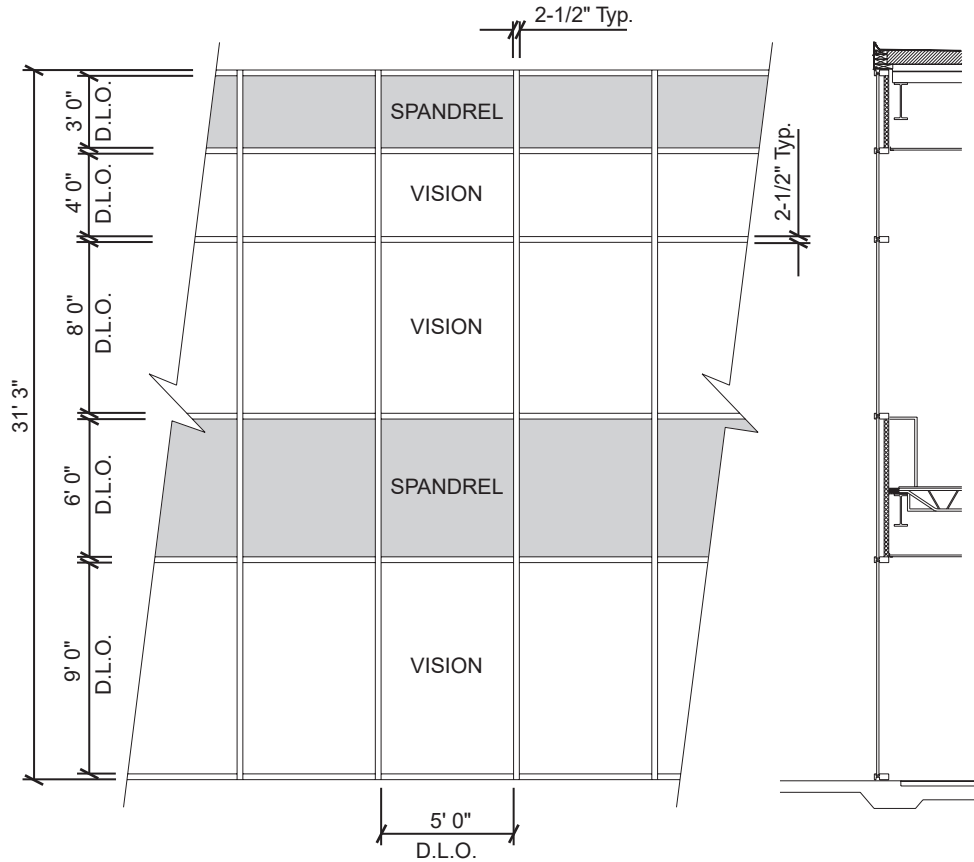
SPAN IN METERS



Laws and building and safety codes governing the design and use of Kawneer products, such as glazed entrance, window, and curtain wall products, vary widely. Kawneer does not control the selection of product configurations, operating hardware, or glazing materials, and assumes no responsibility therefor.

Kawneer reserves the right to change configuration without prior notice when deemed necessary for product improvement.
© 2014, Kawneer Company, Inc.

Generic Project Specific U-factor Example Calculation
(Percent of Glass will vary on specific products depending on sitelines)
 (Based on single bay of Curtain Wall/Window Wall)



Vision Area

Example Glass U-factor = 0.48 Btu/(ft² · h · °F)

Vision Area = 5(9 + 8 + 4) = 105.0 ft²

Total Area (Vision) = 5' 2-1/2" (9' 3-3/4" + 8' 2-1/2" + 4' 2-1/2") = 113.2 ft²

Percentage of Vision Glass = (Vision Area ÷ Total Area)100
 = (105.0 ÷ 113.2)100 = 93%

Spandrel Area

Example Spandrel R-value = 15 (ft² · h · °F)/Btu

Spandrel Area = 5(6 + 3) = 45.0 ft²

Total Area (Spandrel) = 5' 2-1/2" (6' 2-1/2" + 3' 3-3/4") = 49.6 ft²

Percent of Spandrel = (Spandrel Area ÷ Total Area)100
 = (49.0 ÷ 49.6)100 = 91%

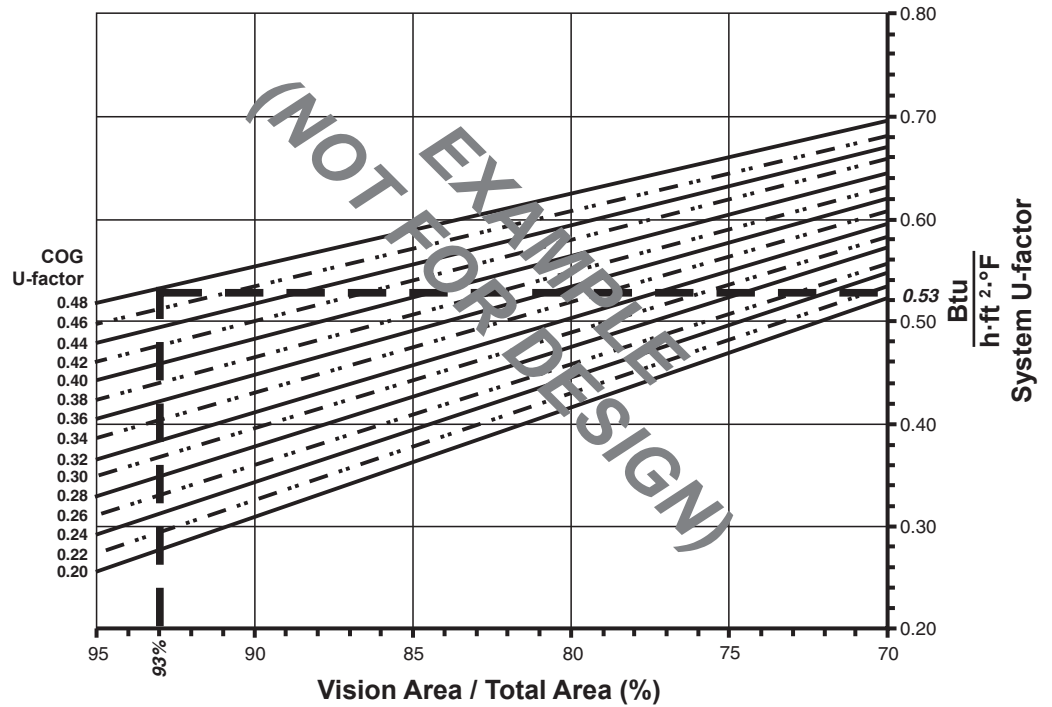
Laws and building and safety codes governing the design and use of Kawneer products, such as glazed entrance, window, and curtain wall products, vary widely. Kawneer does not control the selection of product configurations, operating hardware, or glazing materials, and assumes no responsibility therefor.

Kawneer reserves the right to change configuration without prior notice when deemed necessary for product improvement.

© 2014, Kawneer Company, Inc.

Vision Area Chart

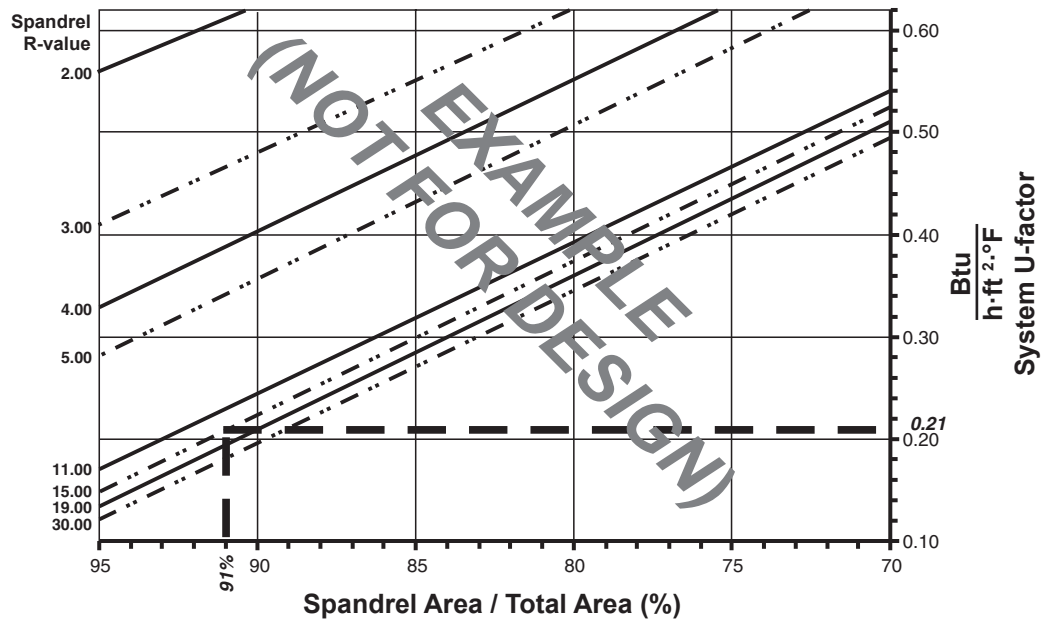
System U-factor vs Percent of Vision Area



Based on a single curtain wall bay of 93% vision glass and center of glass U-factor of 0.48, System U-factor is equal to 0.53 Btu/(h·ft²·°F)

Spandrel Area Chart

System U-factor vs Percent of Spandrel Area



Based on a single curtain wall bay of 91% spandrel and center of spandrel R-value of 15, system U-factor is equal to 0.21 Btu/(h·ft²·°F)

Laws and building and safety codes governing the design and use of Kawneer products, such as glazed entrance, window, and curtain wall products, vary widely. Kawneer does not control the selection of product configurations, operating hardware, or glazing materials, and assumes no responsibility therefor.

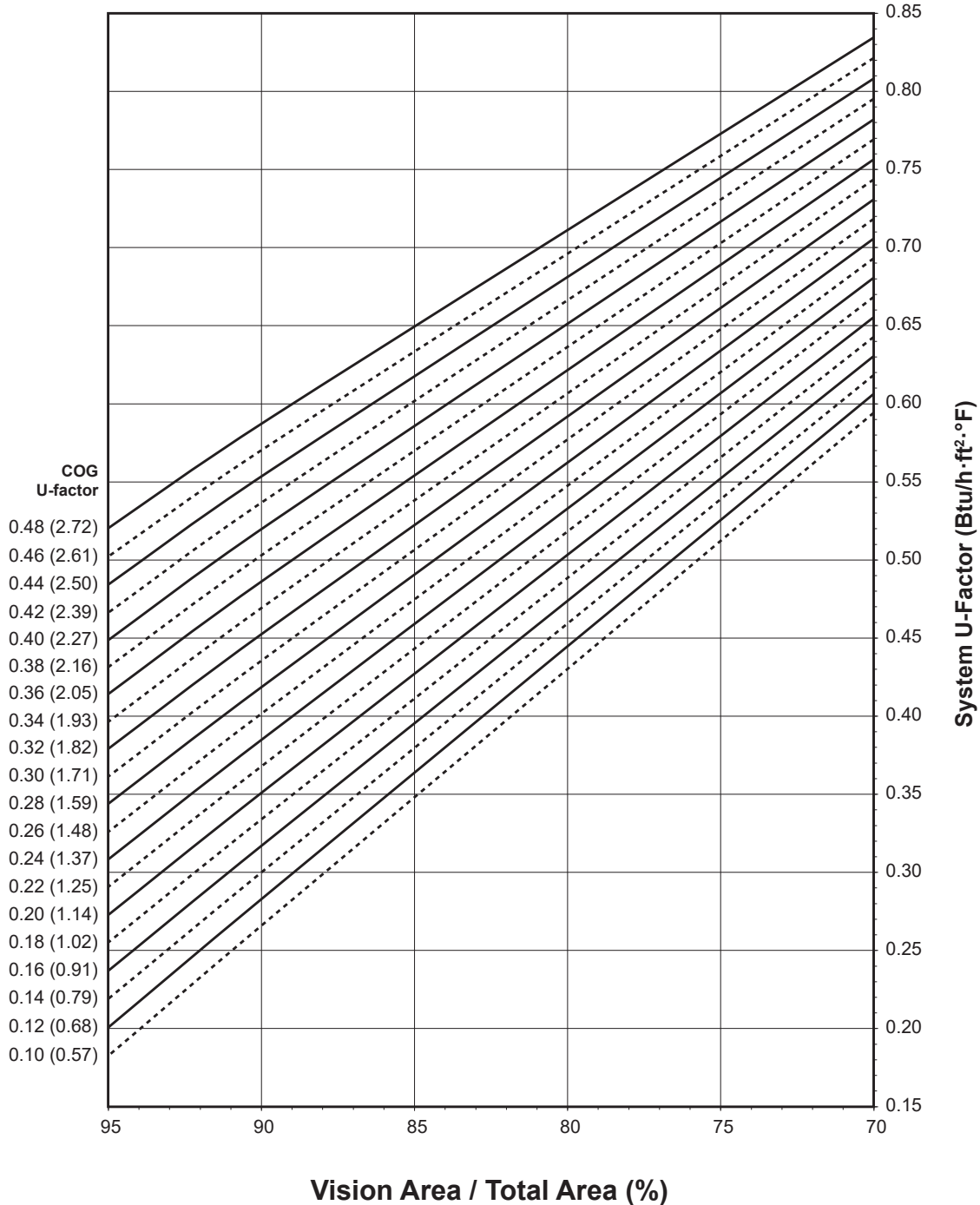
Kawneer reserves the right to change configuration without prior notice when deemed necessary for product improvement.
© 2014, Kawneer Company, Inc.

**4 Side Captured - Aluminum Pressure Plate
1" Double Glazed - Warm-Edge Glazing Spacer**

Note:

Values in parentheses are metric.
COG = Center of Glass.
Charts are generated per AAMA 507

System U-Factor vs Percent of Glass Area



Notes for System U-factor, SHGC and VT charts:

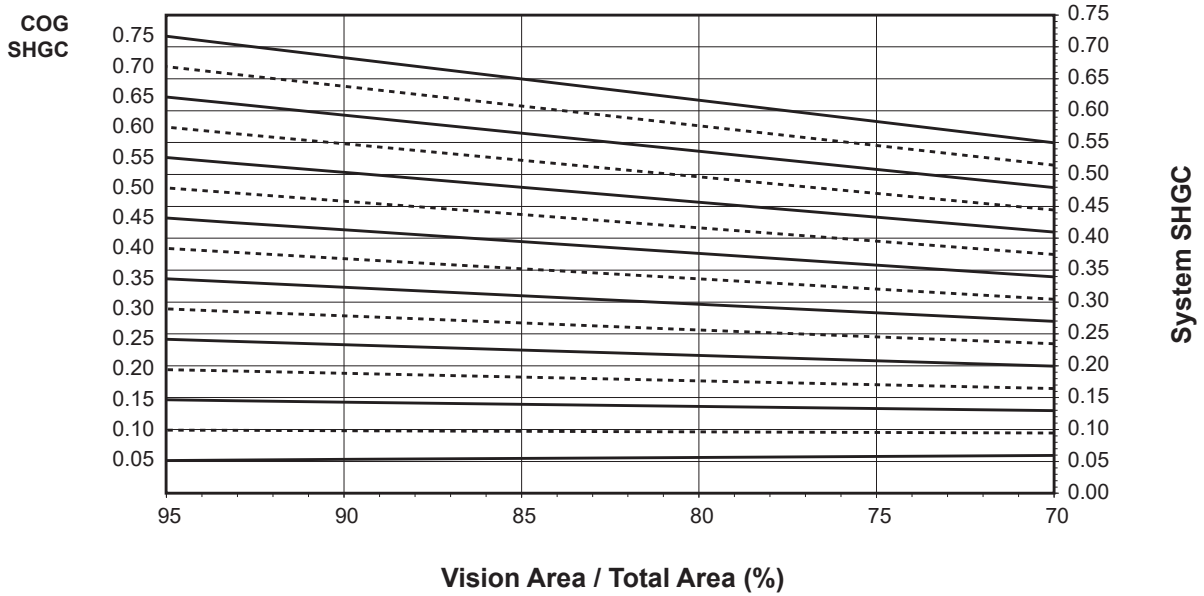
For glass values that are not listed, linear interpolation is permitted.
Glass properties are based on center of glass values and are obtained from your glass supplier.

Laws and building and safety codes governing the design and use of Kawneer products, such as glazed entrance, window, and curtain wall products, vary widely. Kawneer does not control the selection of product configurations, operating hardware, or glazing materials, and assumes no responsibility therefor.

Kawneer reserves the right to change configuration without prior notice when deemed necessary for product improvement.
© 2014, Kawneer Company, Inc.

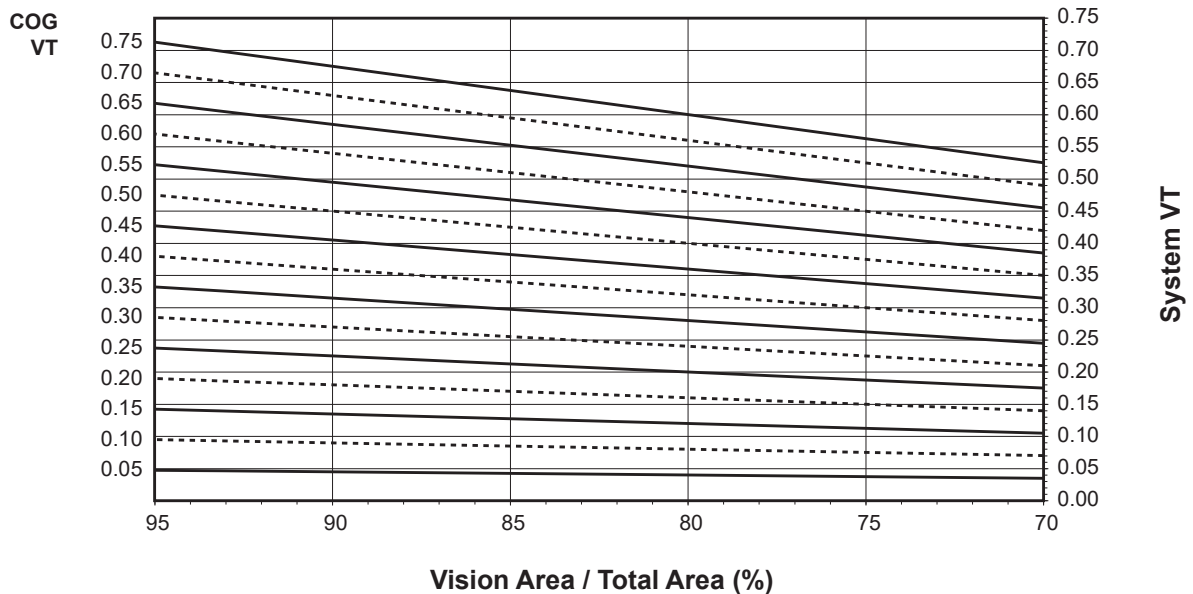
4 Side Captured - Aluminum Pressure Plate 1" Double Glazed - Warm-Edge Glazing Spacer

System Solar Heat Gain Coefficient (SHGC) vs Percent of Vision Area



Charts are generated per AAMA 507

System Visible Transmittance (VT) vs Percent of Vision Area



Laws and building and safety codes governing the design and use of Kawneer products, such as glazed entrance, window, and curtain wall products, vary widely. Kawneer does not control the selection of product configurations, operating hardware, or glazing materials, and assumes no responsibility therefor.

Kawneer reserves the right to change configuration without prior notice when deemed necessary for product improvement.
© 2014, Kawneer Company, Inc.

Thermal Transmittance ¹ (BTU/hr • ft² • °F)

| Glass U-Factor ³ | Overall U-Factor ⁴ |
|-----------------------------|-------------------------------|
| 0.48 | 0.59 |
| 0.46 | 0.57 |
| 0.44 | 0.56 |
| 0.42 | 0.54 |
| 0.40 | 0.52 |
| 0.38 | 0.51 |
| 0.36 | 0.49 |
| 0.34 | 0.47 |
| 0.32 | 0.46 |
| 0.30 | 0.44 |
| 0.28 | 0.42 |
| 0.26 | 0.41 |
| 0.24 | 0.39 |
| 0.22 | 0.37 |
| 0.20 | 0.36 |
| 0.18 | 0.34 |
| 0.16 | 0.32 |
| 0.14 | 0.30 |
| 0.12 | 0.29 |
| 0.10 | 0.27 |

4 Side Captured Aluminum Pressure Plate 1" Double Glazed Warm-Edge Glazing Spacer

NOTE: For glass values that are not listed, linear interpolation is permitted.

1. U-Factors are determined in accordance with NFRC 100.
2. SHGC and VT values are determined in accordance with NFRC 200.
3. Glass properties are based on center of glass values and are obtained from your glass supplier.
4. Overall U-Factor, SHGC, and VT Matricies are based on the standard NFRC specimen size of 2,000 mm wide by 2,000 mm high (78-3/4" by 78-3/4").

SHGC Matrix ²

| Glass SHGC ³ | Overall SHGC ⁴ |
|-------------------------|---------------------------|
| 0.75 | 0.68 |
| 0.70 | 0.64 |
| 0.65 | 0.59 |
| 0.60 | 0.55 |
| 0.55 | 0.50 |
| 0.50 | 0.46 |
| 0.45 | 0.41 |
| 0.40 | 0.37 |
| 0.35 | 0.32 |
| 0.30 | 0.28 |
| 0.25 | 0.23 |
| 0.20 | 0.19 |
| 0.15 | 0.14 |
| 0.10 | 0.10 |
| 0.05 | 0.05 |

Visible Transmittance ²

| Glass VT ³ | Overall VT ⁴ |
|-----------------------|-------------------------|
| 0.75 | 0.67 |
| 0.70 | 0.63 |
| 0.65 | 0.58 |
| 0.60 | 0.54 |
| 0.55 | 0.49 |
| 0.50 | 0.45 |
| 0.45 | 0.40 |
| 0.40 | 0.36 |
| 0.35 | 0.31 |
| 0.30 | 0.27 |
| 0.25 | 0.22 |
| 0.20 | 0.18 |
| 0.15 | 0.13 |
| 0.10 | 0.09 |
| 0.05 | 0.04 |

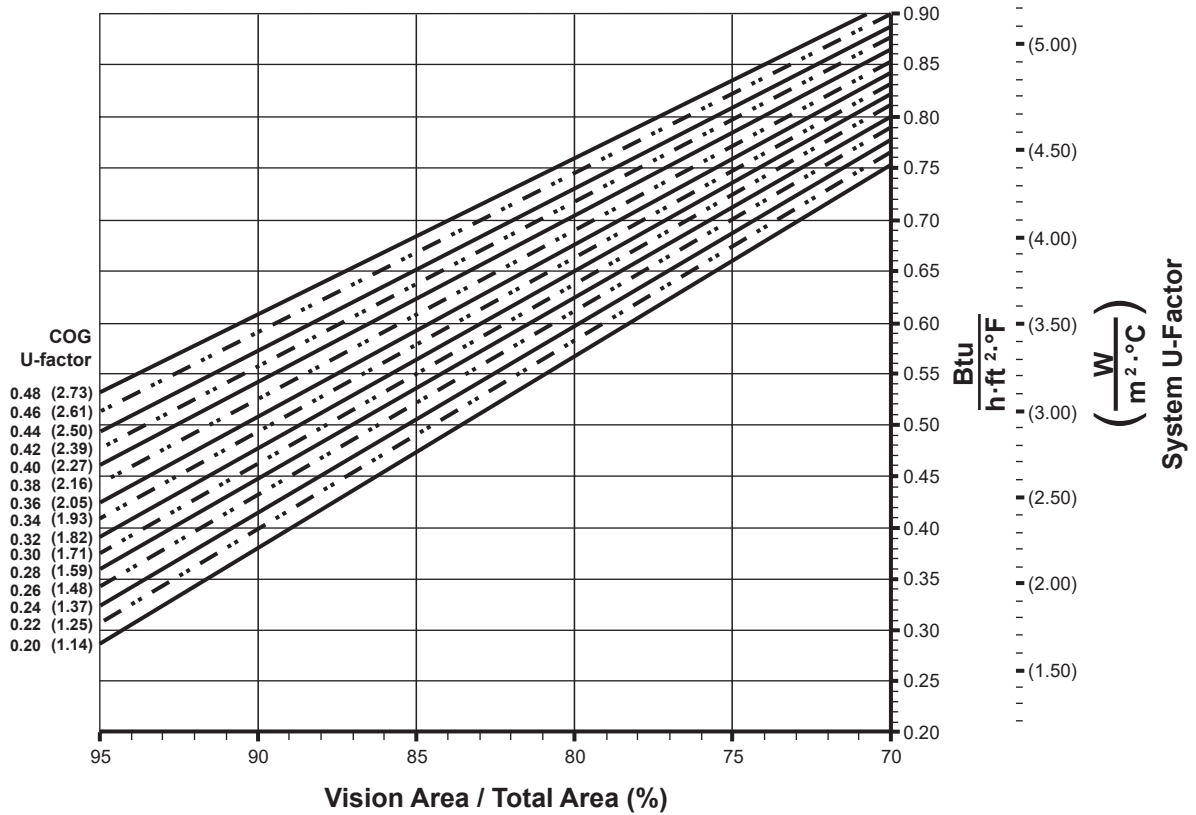
Laws and building and safety codes governing the design and use of Kawneer products, such as glazed entrance, window, and curtain wall products, vary widely. Kawneer does not control the selection of product configurations, operating hardware, or glazing materials, and assumes no responsibility therefor.

Kawneer reserves the right to change configuration without prior notice when deemed necessary for product improvement.
© 2014, Kawneer Company, Inc.

**4 Side Captured - Aluminum Pressure Plate
1" Double Glazed - Aluminum Glazing Spacer**

Note:
Values in parentheses are metric.
COG=Center of Glass.
Charts are generated per AAMA 507.

System U-Factor for Vision Glass



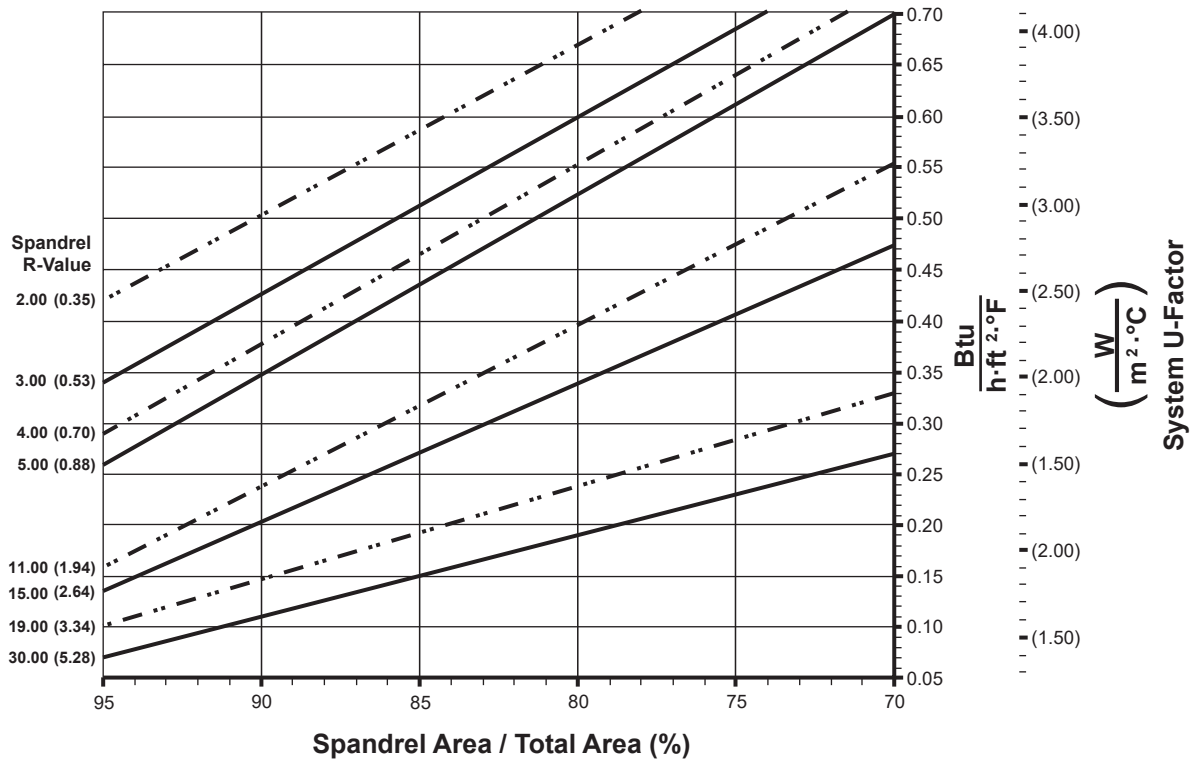
Laws and building and safety codes governing the design and use of Kawneer products, such as glazed entrance, window, and curtain wall products, vary widely. Kawneer does not control the selection of product configurations, operating hardware, or glazing materials, and assumes no responsibility therefor.

Kawneer reserves the right to change configuration without prior notice when deemed necessary for product improvement.
© 2014, Kawneer Company, Inc.

4 Side Captured - Aluminum Pressure Plate
1/4" Single Glazed

Note:
Values in parentheses are metric.
COG=Center of Glass.
Charts are generated per AAMA 507.

System U-Factors for Spandrel Glass



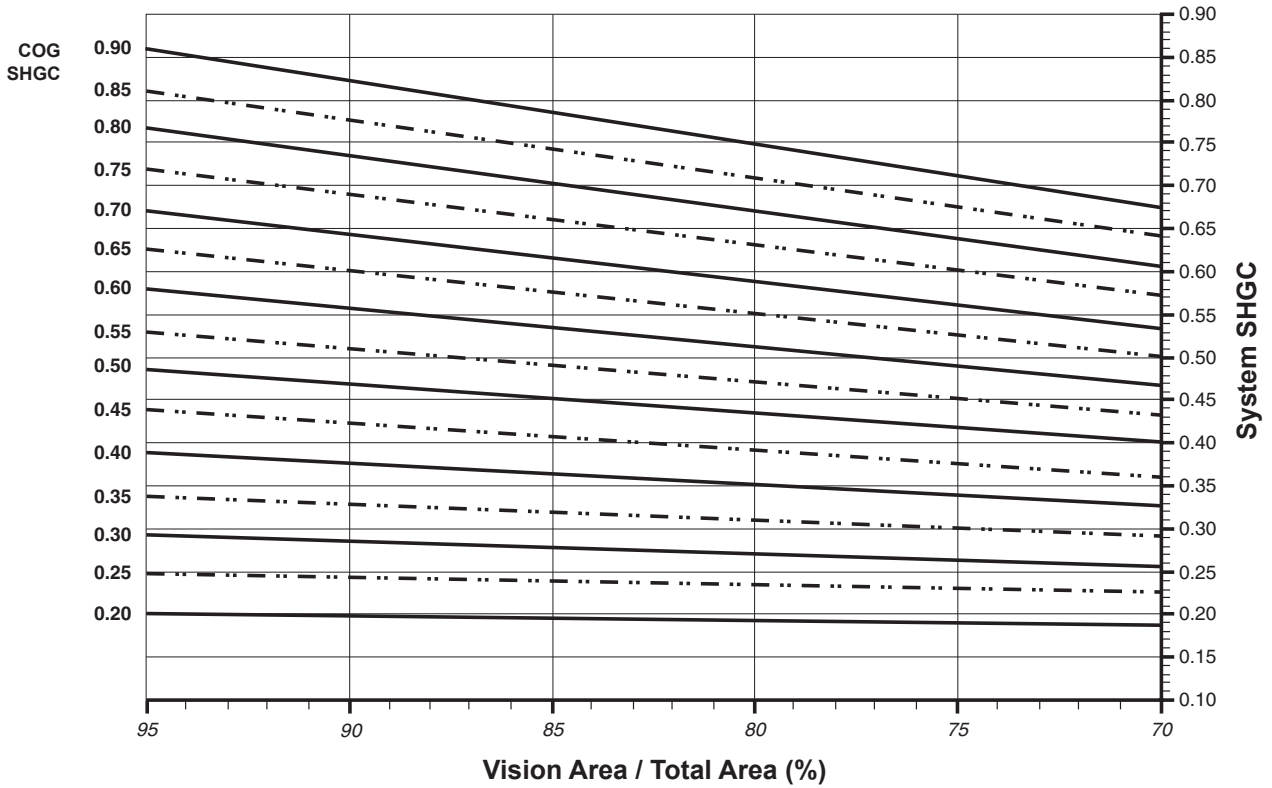
Laws and building and safety codes governing the design and use of Kawneer products, such as glazed entrance, window, and curtain wall products, vary widely. Kawneer does not control the selection of product configurations, operating hardware, or glazing materials, and assumes no responsibility therefor.

Kawneer reserves the right to change configuration without prior notice when deemed necessary for product improvement.

© 2014, Kawneer Company, Inc.

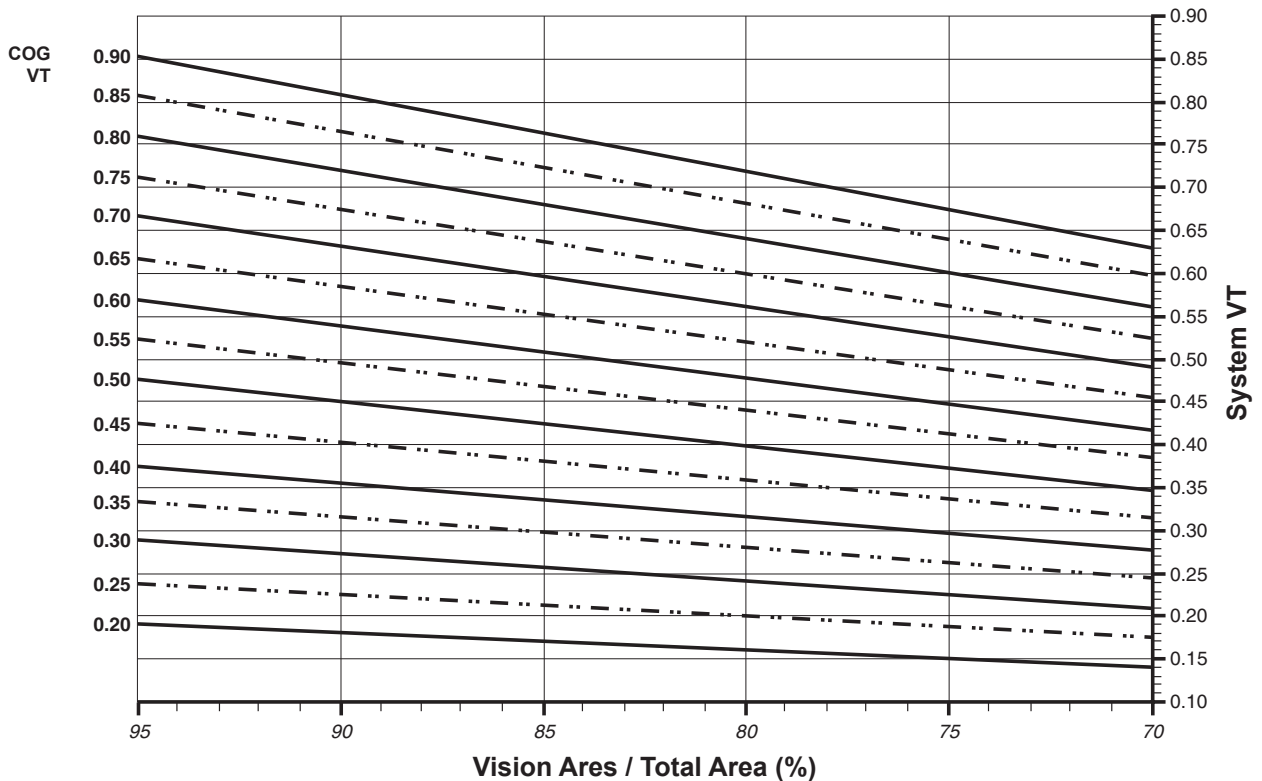
4 Side Captured - Aluminum Pressure Plate 1" Double Glazed - Aluminum Glazing Spacer

System Solar Heat Gain Coefficient (SHGC) vs Percent of Vision Area



Charts are generated per AAMA 507.

System Visible Transmittance (VT) vs Percent of Vision Area



Laws and building and safety codes governing the design and use of Kawneer products, such as glazed entrance, window, and curtain wall products, vary widely. Kawneer does not control the selection of product configurations, operating hardware, or glazing materials, and assumes no responsibility therefor.

Kawneer reserves the right to change configuration without prior notice when deemed necessary for product improvement.
© 2014, Kawneer Company, Inc.

Thermal Transmittance ¹ (BTU/hr • ft² • °F)

| Glass U-Factor ³ | Overall U-Factor ⁴ |
|-----------------------------|-------------------------------|
| 0.48 | 0.62 |
| 0.46 | 0.60 |
| 0.44 | 0.59 |
| 0.42 | 0.57 |
| 0.40 | 0.55 |
| 0.38 | 0.54 |
| 0.36 | 0.52 |
| 0.34 | 0.50 |
| 0.32 | 0.49 |
| 0.30 | 0.47 |
| 0.28 | 0.46 |
| 0.26 | 0.44 |
| 0.24 | 0.42 |
| 0.22 | 0.41 |
| 0.20 | 0.39 |

**4 Side Captured
Aluminum Pressure Plate
1" Double Glazed
Aluminum Glazing Spacer**

NOTE: For glass values that are not listed, linear interpolation is permitted.

1. U-Factors are determined in accordance with NFRC 100.
2. SHGC and VT values are determined in accordance with NFRC 200.
3. Glass properties are based on center of glass values and are obtained from your glass supplier.
4. Overall U-Factor, SHGC, and VT Matricies are based on the standard NFRC specimen size of 2,000 mm wide by 2,000 mm high (78-3/4" by 78-3/4").

SHGC Matrix ²

| Glass SHGC ³ | Overall SHGC ⁴ |
|-------------------------|---------------------------|
| 0.90 | 0.82 |
| 0.85 | 0.78 |
| 0.80 | 0.73 |
| 0.75 | 0.69 |
| 0.70 | 0.64 |
| 0.65 | 0.60 |
| 0.60 | 0.55 |
| 0.55 | 0.51 |
| 0.50 | 0.46 |
| 0.45 | 0.42 |
| 0.40 | 0.37 |
| 0.35 | 0.33 |
| 0.30 | 0.29 |
| 0.25 | 0.24 |
| 0.20 | 0.20 |

Visible Transmittance ²

| Glass VT ³ | Overall VT ⁴ |
|-----------------------|-------------------------|
| 0.90 | 0.81 |
| 0.85 | 0.76 |
| 0.80 | 0.72 |
| 0.75 | 0.67 |
| 0.70 | 0.63 |
| 0.65 | 0.58 |
| 0.60 | 0.54 |
| 0.55 | 0.49 |
| 0.50 | 0.45 |
| 0.45 | 0.40 |
| 0.40 | 0.36 |
| 0.35 | 0.31 |
| 0.30 | 0.27 |
| 0.25 | 0.22 |
| 0.20 | 0.18 |

Laws and building and safety codes governing the design and use of Kawneer products, such as glazed entrance, window, and curtain wall products, vary widely. Kawneer does not control the selection of product configurations, operating hardware, or glazing materials, and assumes no responsibility therefor.

Kawneer reserves the right to change configuration without prior notice when deemed necessary for product improvement.
© 2014, Kawneer Company, Inc.

**SSG - Aluminum Pressure Plate
1" Double Glazed - Warm-Edge Glazing Spacer**

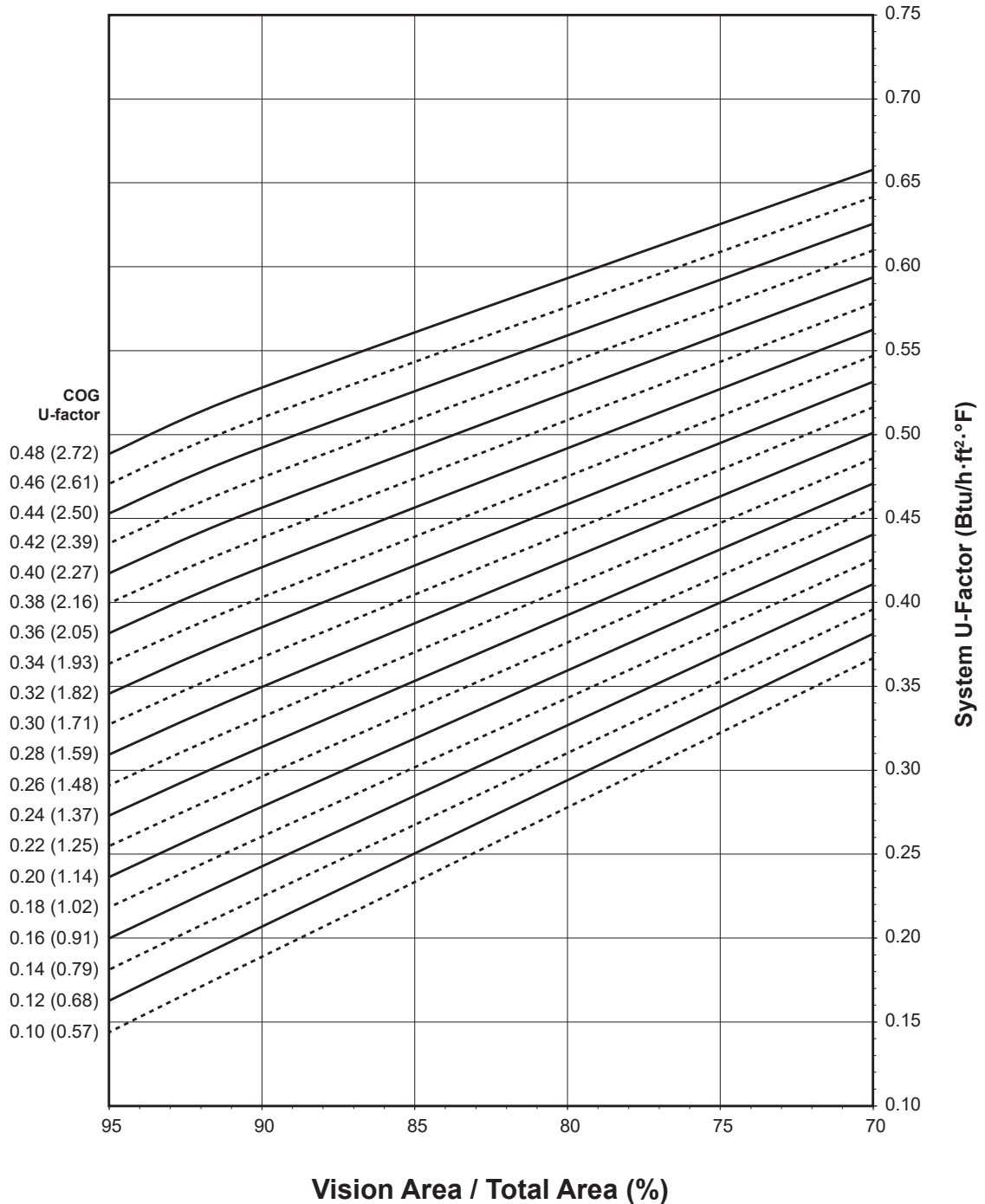
Note:

Values in parentheses are metric.

COG = Center of Glass.

Charts are generated per AAMA 507

System U-Factor vs Percent of Glass Area



Notes for System U-factor, SHGC and VT charts:

For glass values that are not listed, linear interpolation is permitted.

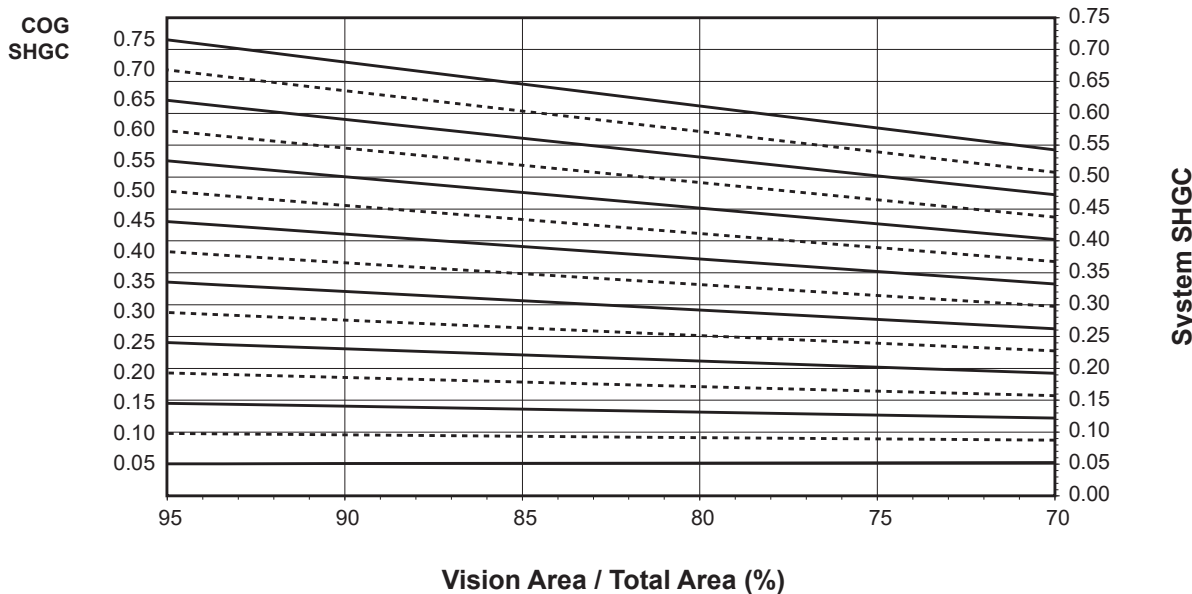
Glass properties are based on center of glass values and are obtained from your glass supplier.

Laws and building and safety codes governing the design and use of Kawneer products, such as glazed entrance, window, and curtain wall products, vary widely. Kawneer does not control the selection of product configurations, operating hardware, or glazing materials, and assumes no responsibility therefor.

Kawneer reserves the right to change configuration without prior notice when deemed necessary for product improvement.
© 2014, Kawneer Company, Inc.

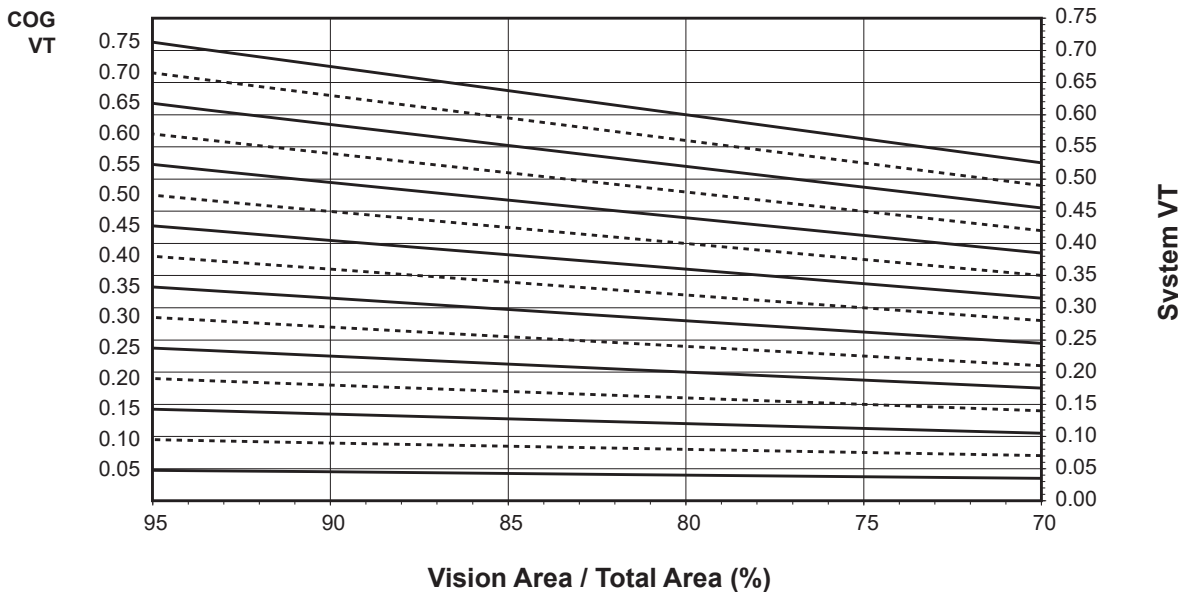
**SSG - Aluminum Pressure Plate
1" Double Glazed - Warm-Edge Glazing Spacer**

System Solar Heat Gain Coefficient (SHGC) vs Percent of Vision Area



Charts are generated per AAMA 507

System Visible Transmittance (VT) vs Percent of Vision Area



Laws and building and safety codes governing the design and use of Kawneer products, such as glazed entrance, window, and curtain wall products, vary widely. Kawneer does not control the selection of product configurations, operating hardware, or glazing materials, and assumes no responsibility therefor.

Kawneer reserves the right to change configuration without prior notice when deemed necessary for product improvement.
© 2014, Kawneer Company, Inc.

Thermal Transmittance ¹ (BTU/hr • ft ² • °F)

| Glass U-Factor ³ | Overall U-Factor ⁴ |
|-----------------------------|-------------------------------|
| 0.48 | 0.53 |
| 0.46 | 0.51 |
| 0.44 | 0.49 |
| 0.42 | 0.47 |
| 0.40 | 0.45 |
| 0.38 | 0.44 |
| 0.36 | 0.42 |
| 0.34 | 0.40 |
| 0.32 | 0.38 |
| 0.30 | 0.36 |
| 0.28 | 0.35 |
| 0.26 | 0.33 |
| 0.24 | 0.31 |
| 0.22 | 0.29 |
| 0.20 | 0.28 |
| 0.18 | 0.26 |
| 0.16 | 0.24 |
| 0.14 | 0.22 |
| 0.12 | 0.20 |
| 0.10 | 0.19 |

**SSG
Aluminum Pressure Plate
1" Double Glazed
Warm-Edge Glazing Spacer**

NOTE: For glass values that are not listed, linear interpolation is permitted.

1. U-Factors are determined in accordance with NFRC 100.
2. SHGC and VT values are determined in accordance with NFRC 200.
3. Glass properties are based on center of glass values and are obtained from your glass supplier.
4. Overall U-Factor, SHGC, and VT Matricies are based on the standard NFRC specimen size of 2,000 mm wide by 2,000 mm high (78-3/4" by 78-3/4").

SHGC Matrix ²

| Glass SHGC ³ | Overall SHGC ⁴ |
|-------------------------|---------------------------|
| 0.75 | 0.68 |
| 0.70 | 0.64 |
| 0.65 | 0.59 |
| 0.60 | 0.55 |
| 0.55 | 0.50 |
| 0.50 | 0.46 |
| 0.45 | 0.41 |
| 0.40 | 0.37 |
| 0.35 | 0.32 |
| 0.30 | 0.28 |
| 0.25 | 0.23 |
| 0.20 | 0.19 |
| 0.15 | 0.14 |
| 0.10 | 0.10 |
| 0.05 | 0.05 |

Visible Transmittance ²

| Glass VT ³ | Overall VT ⁴ |
|-----------------------|-------------------------|
| 0.75 | 0.68 |
| 0.70 | 0.63 |
| 0.65 | 0.59 |
| 0.60 | 0.54 |
| 0.55 | 0.50 |
| 0.50 | 0.45 |
| 0.45 | 0.41 |
| 0.40 | 0.36 |
| 0.35 | 0.32 |
| 0.30 | 0.27 |
| 0.25 | 0.23 |
| 0.20 | 0.18 |
| 0.15 | 0.14 |
| 0.10 | 0.09 |
| 0.05 | 0.05 |

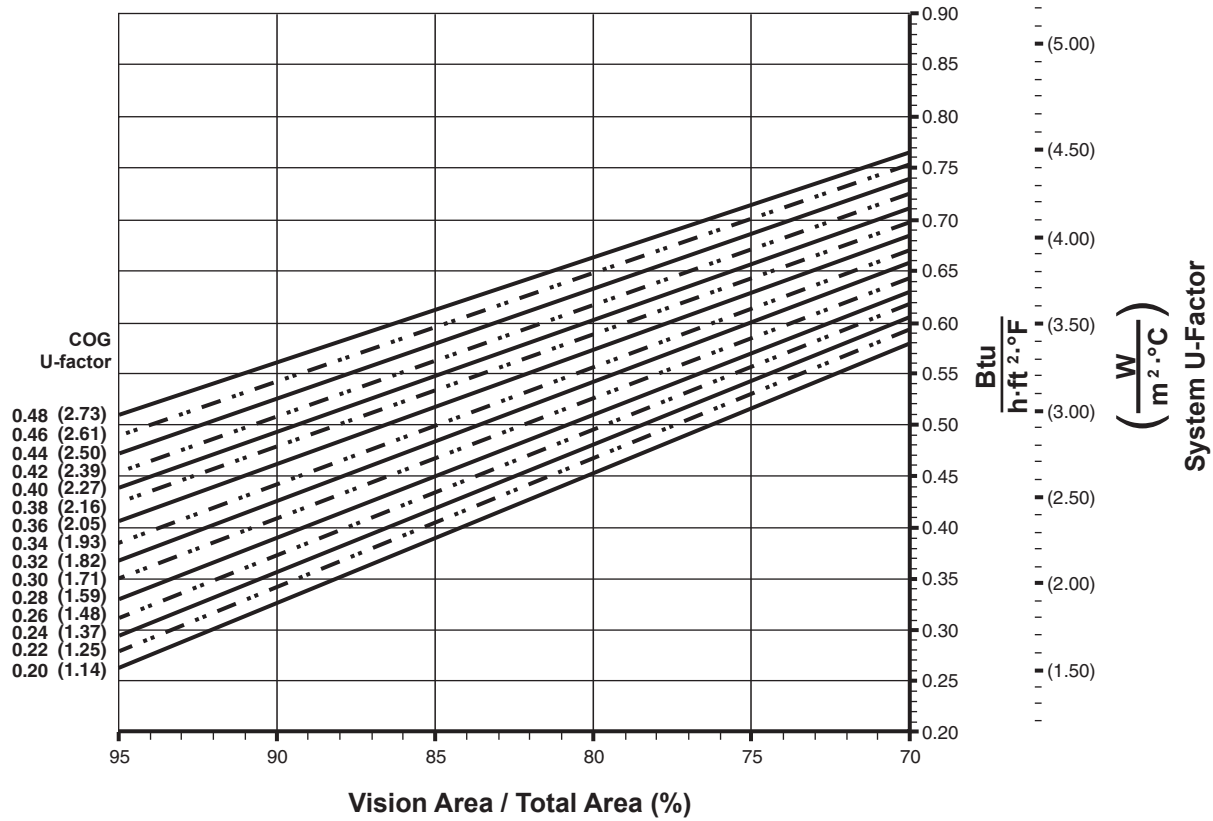
Laws and building and safety codes governing the design and use of Kawneer products, such as glazed entrance, window, and curtain wall products, vary widely. Kawneer does not control the selection of product configurations, operating hardware, or glazing materials, and assumes no responsibility therefor.

Kawneer reserves the right to change configuration without prior notice when deemed necessary for product improvement.
© 2014, Kawneer Company, Inc.

**SSG - Aluminum Pressure Plate
1" Double Glazed - Aluminum Glazing Spacer**

Note:
Values in parentheses are metric.
COG=Center of Glass.
Charts are generated per AAMA 507.

System U-Factor for Vision Glass



Laws and building and safety codes governing the design and use of Kawneer products, such as glazed entrance, window, and curtain wall products, vary widely. Kawneer does not control the selection of product configurations, operating hardware, or glazing materials, and assumes no responsibility therefor.

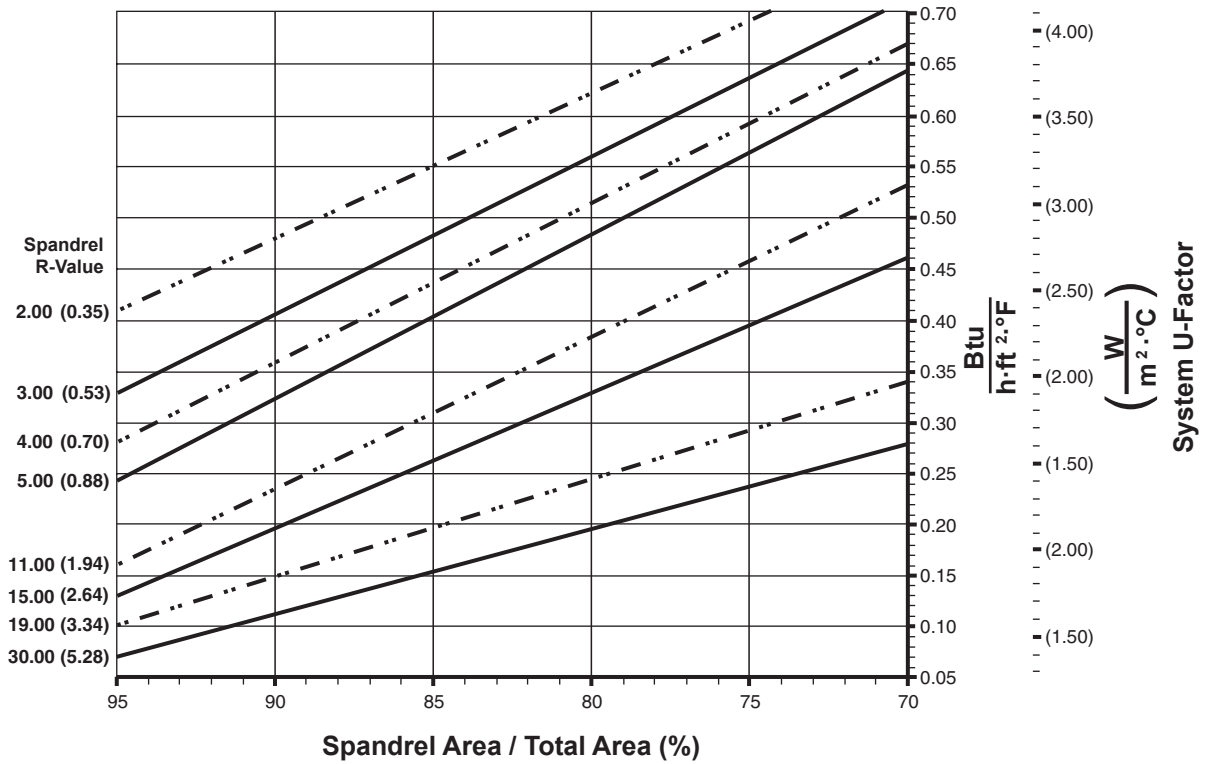
Kawneer reserves the right to change configuration without prior notice when deemed necessary for product improvement.

© 2014, Kawneer Company, Inc.

**SSG - Aluminum Pressure Plate
1/4" Single Glazed**

Note:
Values in parentheses are metric.
COG=Center of Glass.
Charts are generated per AAMA 507.

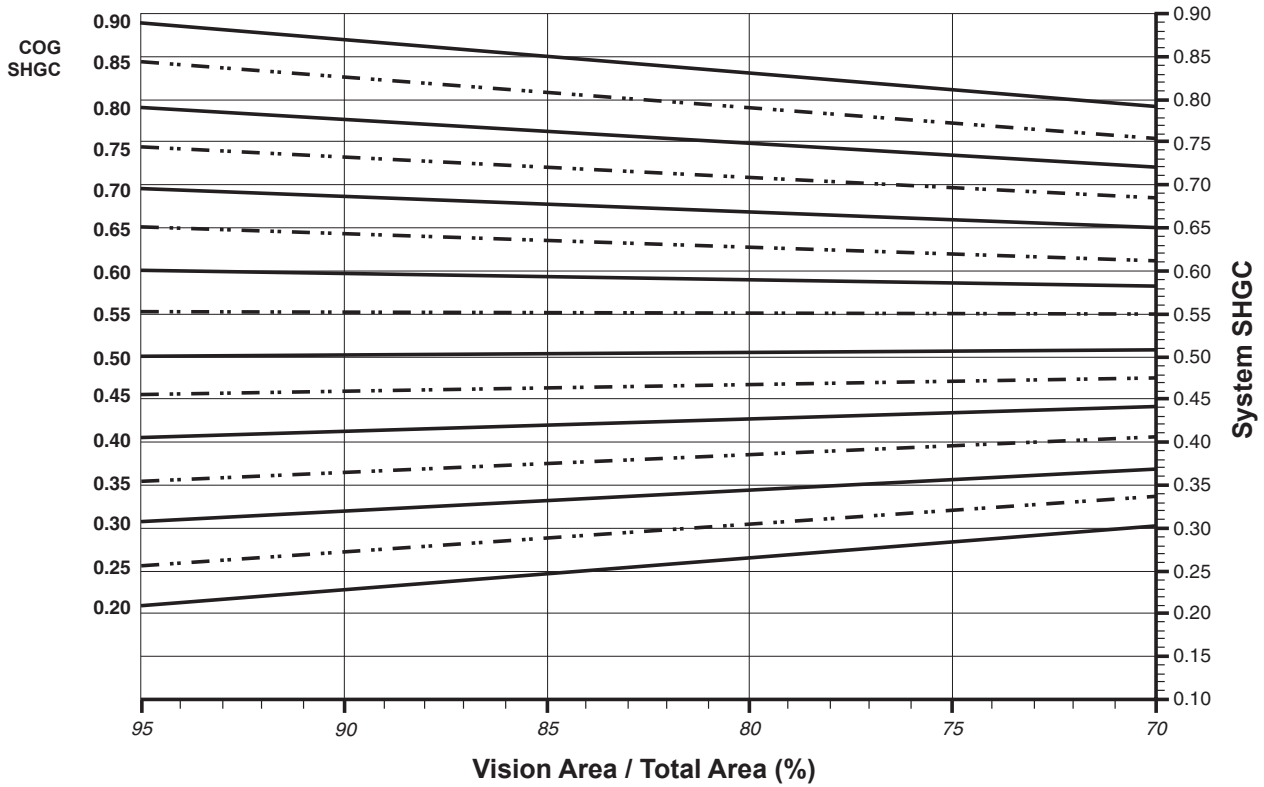
System U-Factors for Spandrel Glass



Laws and building and safety codes governing the design and use of Kawneer products, such as glazed entrance, window, and curtain wall products, vary widely. Kawneer does not control the selection of product configurations, operating hardware, or glazing materials, and assumes no responsibility therefor.

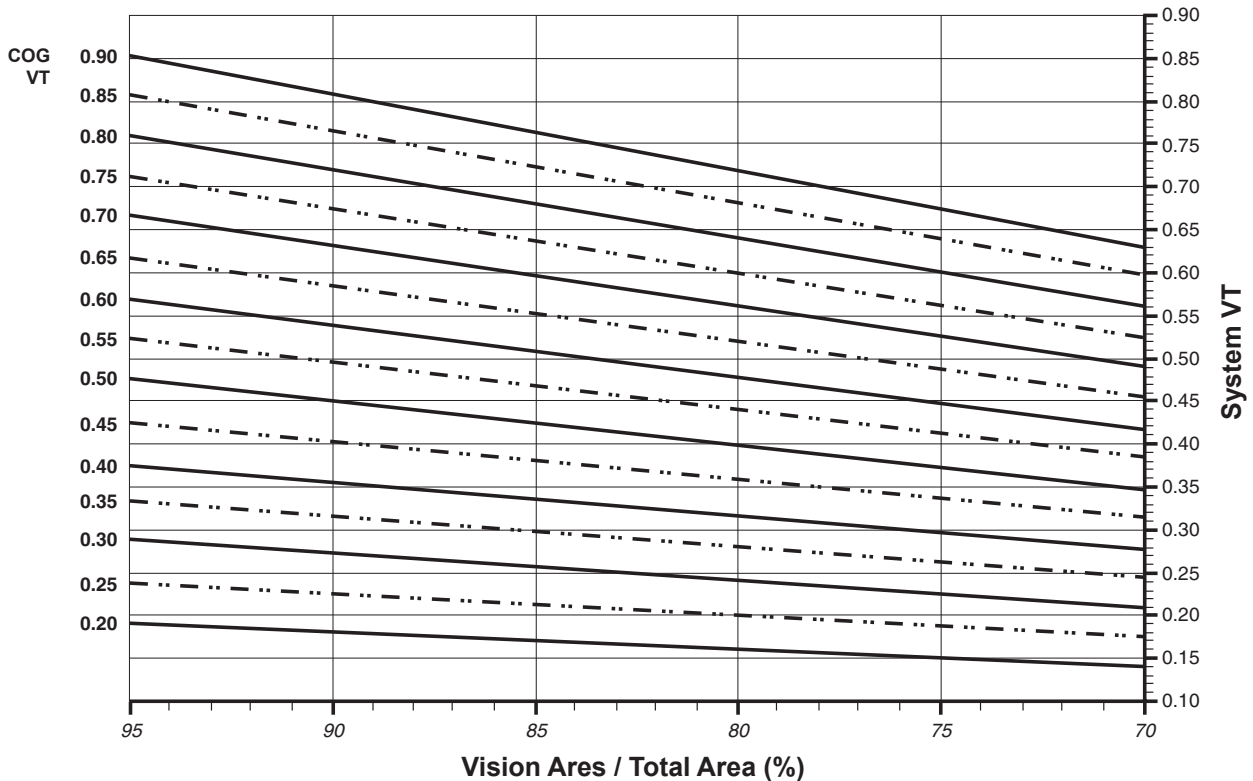
Kawneer reserves the right to change configuration without prior notice when deemed necessary for product improvement.
© 2014, Kawneer Company, Inc.

**SSG - Aluminum Pressure Plate
1" Double Glazed - Aluminum Glazing Spacer**
System Solar Heat Gain Coefficient (SHGC) vs Percent of Vision Area



Charts are generated per AAMA 507.

System Visible Transmittance (VT) vs Percent of Vision Area



Laws and building and safety codes governing the design and use of Kawneer products, such as glazed entrance, window, and curtain wall products, vary widely. Kawneer does not control the selection of product configurations, operating hardware, or glazing materials, and assumes no responsibility therefor.

Kawneer reserves the right to change configuration without prior notice when deemed necessary for product improvement.
© 2014, Kawneer Company, Inc.

Thermal Transmittance ¹ (BTU/hr • ft ² • °F)

| Glass U-Factor ³ | Overall U-Factor ⁴ |
|-----------------------------|-------------------------------|
| 0.48 | 0.56 |
| 0.46 | 0.54 |
| 0.44 | 0.53 |
| 0.42 | 0.51 |
| 0.40 | 0.49 |
| 0.38 | 0.48 |
| 0.36 | 0.46 |
| 0.34 | 0.44 |
| 0.32 | 0.42 |
| 0.30 | 0.41 |
| 0.28 | 0.39 |
| 0.26 | 0.37 |
| 0.24 | 0.36 |
| 0.22 | 0.34 |
| 0.20 | 0.32 |

**SSG
Aluminum Pressure Plate
1" Double Glazed
Aluminum Glazing Spacer**

NOTE: For glass values that are not listed, linear interpolation is permitted.

1. U-Factors are determined in accordance with NFRC 100.
2. SHGC and VT values are determined in accordance with NFRC 200.
3. Glass properties are based on center of glass values and are obtained from your glass supplier.
4. Overall U-Factor, SHGC, and VT Matricies are based on the standard NFRC specimen size of 2,000 mm wide by 2,000 mm high (78-3/4" by 78-3/4").

SHGC Matrix ²

| Glass SHGC ³ | Overall SHGC ⁴ |
|-------------------------|---------------------------|
| 0.90 | 0.87 |
| 0.85 | 0.82 |
| 0.80 | 0.77 |
| 0.75 | 0.73 |
| 0.70 | 0.68 |
| 0.65 | 0.64 |
| 0.60 | 0.59 |
| 0.55 | 0.55 |
| 0.50 | 0.50 |
| 0.45 | 0.46 |
| 0.40 | 0.41 |
| 0.35 | 0.37 |
| 0.30 | 0.32 |
| 0.25 | 0.28 |
| 0.20 | 0.23 |

Visible Transmittance ²

| Glass VT ³ | Overall VT ⁴ |
|-----------------------|-------------------------|
| 0.90 | 0.81 |
| 0.85 | 0.77 |
| 0.80 | 0.72 |
| 0.75 | 0.68 |
| 0.70 | 0.63 |
| 0.65 | 0.59 |
| 0.60 | 0.54 |
| 0.55 | 0.50 |
| 0.50 | 0.45 |
| 0.45 | 0.41 |
| 0.40 | 0.36 |
| 0.35 | 0.32 |
| 0.30 | 0.27 |
| 0.25 | 0.23 |
| 0.20 | 0.18 |

Laws and building and safety codes governing the design and use of Kawneer products, such as glazed entrance, window, and curtain wall products, vary widely. Kawneer does not control the selection of product configurations, operating hardware, or glazing materials, and assumes no responsibility therefor.

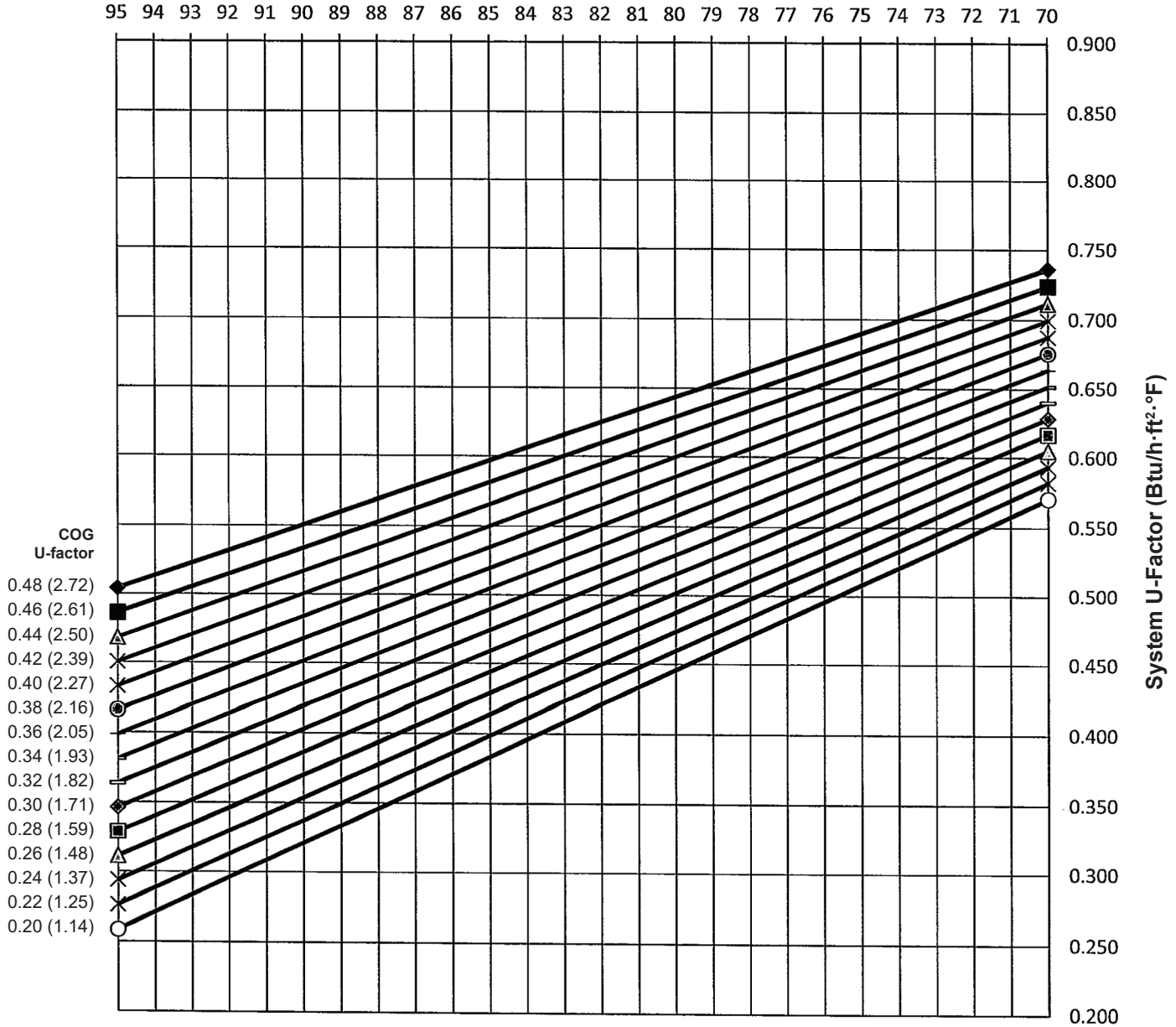
Kawneer reserves the right to change configuration without prior notice when deemed necessary for product improvement.
© 2014, Kawneer Company, Inc.

4 Side Captured - Fiberglass Pressure Plate
1" Double Glazed - Aluminum Glazing Spacer

Note:
Values in parentheses are metric.
COG=Center of Glass.
Charts are generated per AAMA 507.

System U-Factor for Vision Glass

Vision Area / Total Area (%)



Notes for System U-Factor, SHGC and VT charts:

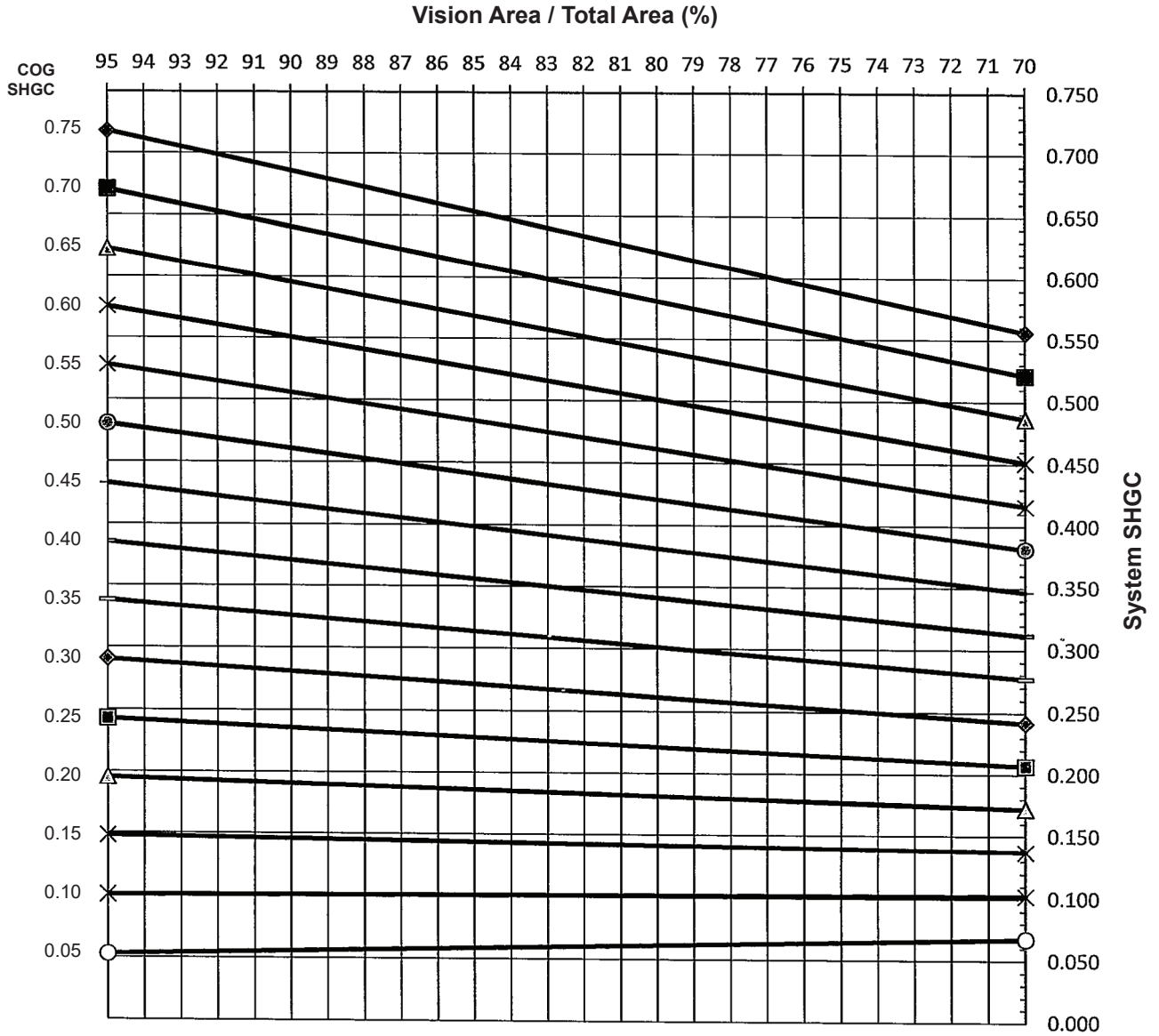
For glass values that are not listed, linear interpolation is permitted.
Glass properties are based on center of glass values (winter conditions) and are obtained from your glass supplier.

Laws and building and safety codes governing the design and use of Kawneer products, such as glazed entrance, window, and curtain wall products, vary widely. Kawneer does not control the selection of product configurations, operating hardware, or glazing materials, and assumes no responsibility therefor.

Kawneer reserves the right to change configuration without prior notice when deemed necessary for product improvement.
© 2014, Kawneer Company, Inc.

4 Side Captured - Fiberglass Pressure Plate 1" Double Glazed - Aluminum Glazing Spacer

System Solar Heat Gain Coefficient (SHGC) vs Percent of Vision Area



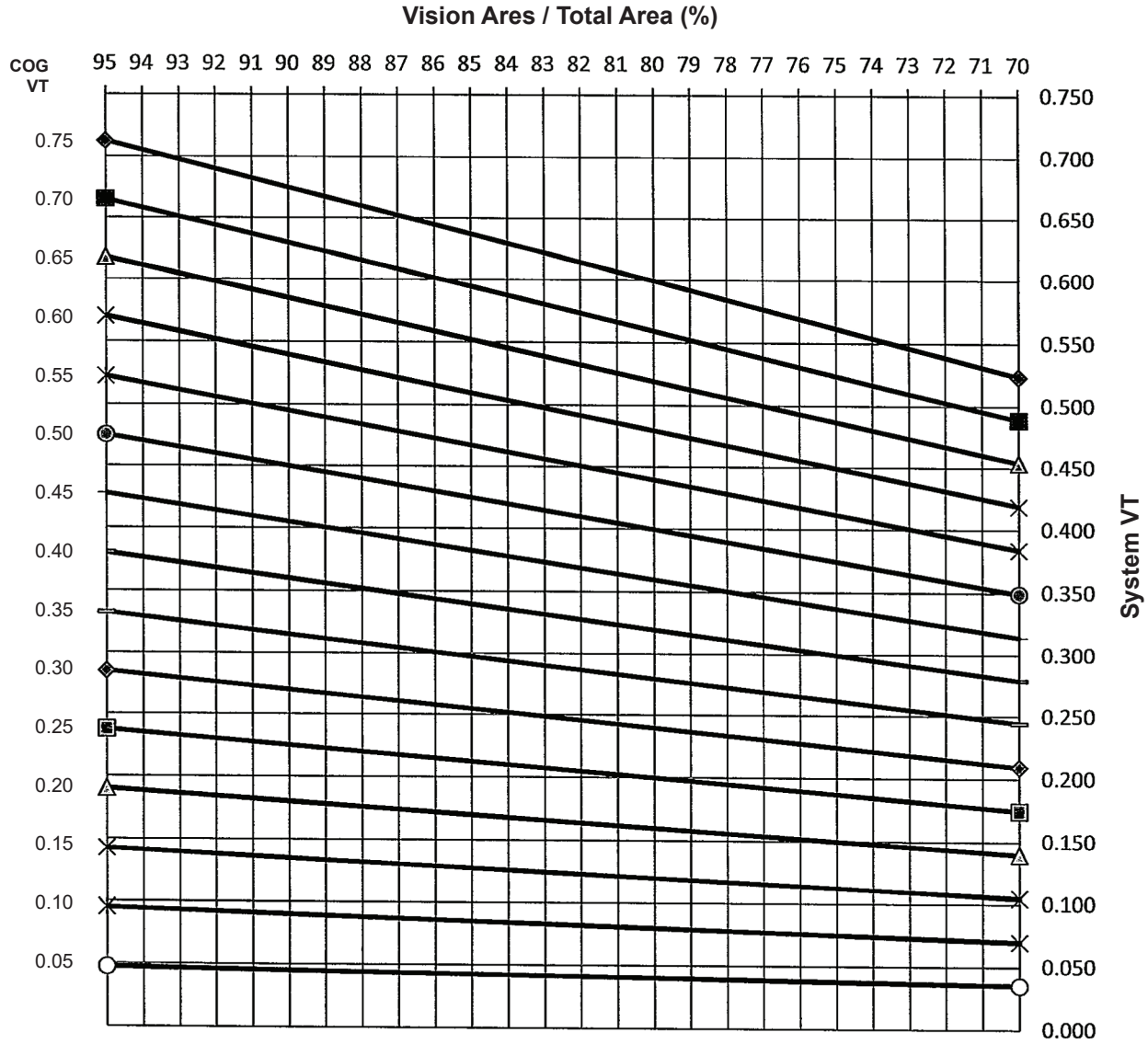
Charts are generated per AAMA 507.

Laws and building and safety codes governing the design and use of Kawneer products, such as glazed entrance, window, and curtain wall products, vary widely. Kawneer does not control the selection of product configurations, operating hardware, or glazing materials, and assumes no responsibility therefor.

Kawneer reserves the right to change configuration without prior notice when deemed necessary for product improvement.
© 2014, Kawneer Company, Inc.

4 Side Captured - Fiberglass Pressure Plate
1" Double Glazed - Aluminum Glazing Spacer

System Visible Transmittance (VT) vs Percent of Vision Area



Charts are generated per AAMA 507.

Laws and building and safety codes governing the design and use of Kawneer products, such as glazed entrance, window, and curtain wall products, vary widely. Kawneer does not control the selection of product configurations, operating hardware, or glazing materials, and assumes no responsibility therefor.

Kawneer reserves the right to change configuration without prior notice when deemed necessary for product improvement.
© 2014, Kawneer Company, Inc.

Thermal Transmittance ¹ (BTU/hr • ft ² • °F)

| Glass U-Factor ³ | Overall U-Factor ⁴ |
|-----------------------------|-------------------------------|
| 0.48 | 0.56 |
| 0.46 | 0.54 |
| 0.44 | 0.52 |
| 0.42 | 0.51 |
| 0.40 | 0.49 |
| 0.38 | 0.47 |
| 0.36 | 0.46 |
| 0.34 | 0.44 |
| 0.32 | 0.43 |
| 0.30 | 0.41 |
| 0.28 | 0.39 |
| 0.26 | 0.38 |
| 0.24 | 0.36 |
| 0.22 | 0.34 |
| 0.20 | 0.33 |

4 Side Captured Fiberglass Pressure Plate 1" Double Glazed Aluminum Glazing Spacer

NOTE: For glass values that are not listed, linear interpolation is permitted.

1. U-Factors are determined in accordance with NFRC 100.
2. SHGC and VT values are determined in accordance with NFRC 200.
3. Glass properties are based on center of glass values and are obtained from your glass supplier.
4. Overall U-Factor, SHGC, and VT Matricies are based on the standard NFRC specimen size of 2,000 mm wide by 2,000 mm high (78-3/4" by 78-3/4").

SHGC Matrix ²

| Glass SHGC ³ | Overall SHGC ⁴ |
|-------------------------|---------------------------|
| 0.75 | 0.68 |
| 0.70 | 0.64 |
| 0.65 | 0.59 |
| 0.60 | 0.55 |
| 0.55 | 0.50 |
| 0.50 | 0.46 |
| 0.45 | 0.41 |
| 0.40 | 0.37 |
| 0.35 | 0.33 |
| 0.30 | 0.28 |
| 0.25 | 0.24 |
| 0.20 | 0.19 |
| 0.15 | 0.15 |
| 0.10 | 0.10 |
| 0.05 | 0.06 |

Visible Transmittance ²

| Glass VT ³ | Overall VT ⁴ |
|-----------------------|-------------------------|
| 0.75 | 0.67 |
| 0.70 | 0.63 |
| 0.65 | 0.58 |
| 0.60 | 0.54 |
| 0.55 | 0.49 |
| 0.50 | 0.45 |
| 0.45 | 0.40 |
| 0.40 | 0.36 |
| 0.35 | 0.31 |
| 0.30 | 0.27 |
| 0.25 | 0.22 |
| 0.20 | 0.18 |
| 0.15 | 0.13 |
| 0.10 | 0.09 |
| 0.05 | 0.04 |

Laws and building and safety codes governing the design and use of Kawneer products, such as glazed entrance, window, and curtain wall products, vary widely. Kawneer does not control the selection of product configurations, operating hardware, or glazing materials, and assumes no responsibility therefor.

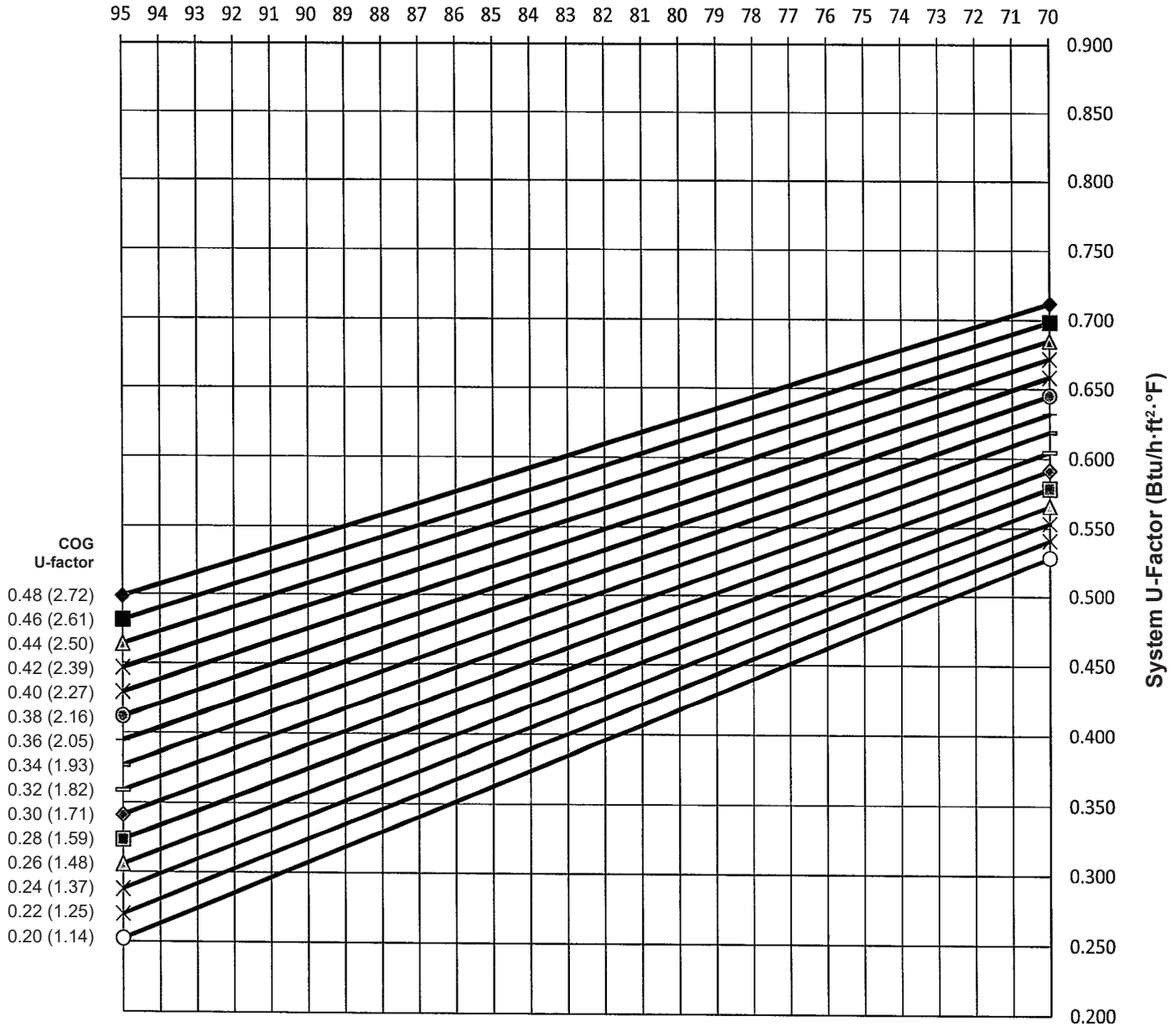
Kawneer reserves the right to change configuration without prior notice when deemed necessary for product improvement.
© 2014, Kawneer Company, Inc.

SSG Captured - Fiberglass Pressure Plate
1" Double Glazed - Aluminum Glazing Spacer

Note:
Values in parentheses are metric.
COG=Center of Glass.
Charts are generated per AAMA 507.

System U-Factor for Vision Glass

Vision Area / Total Area (%)



Notes for System U-Factor, SHGC and VT charts:

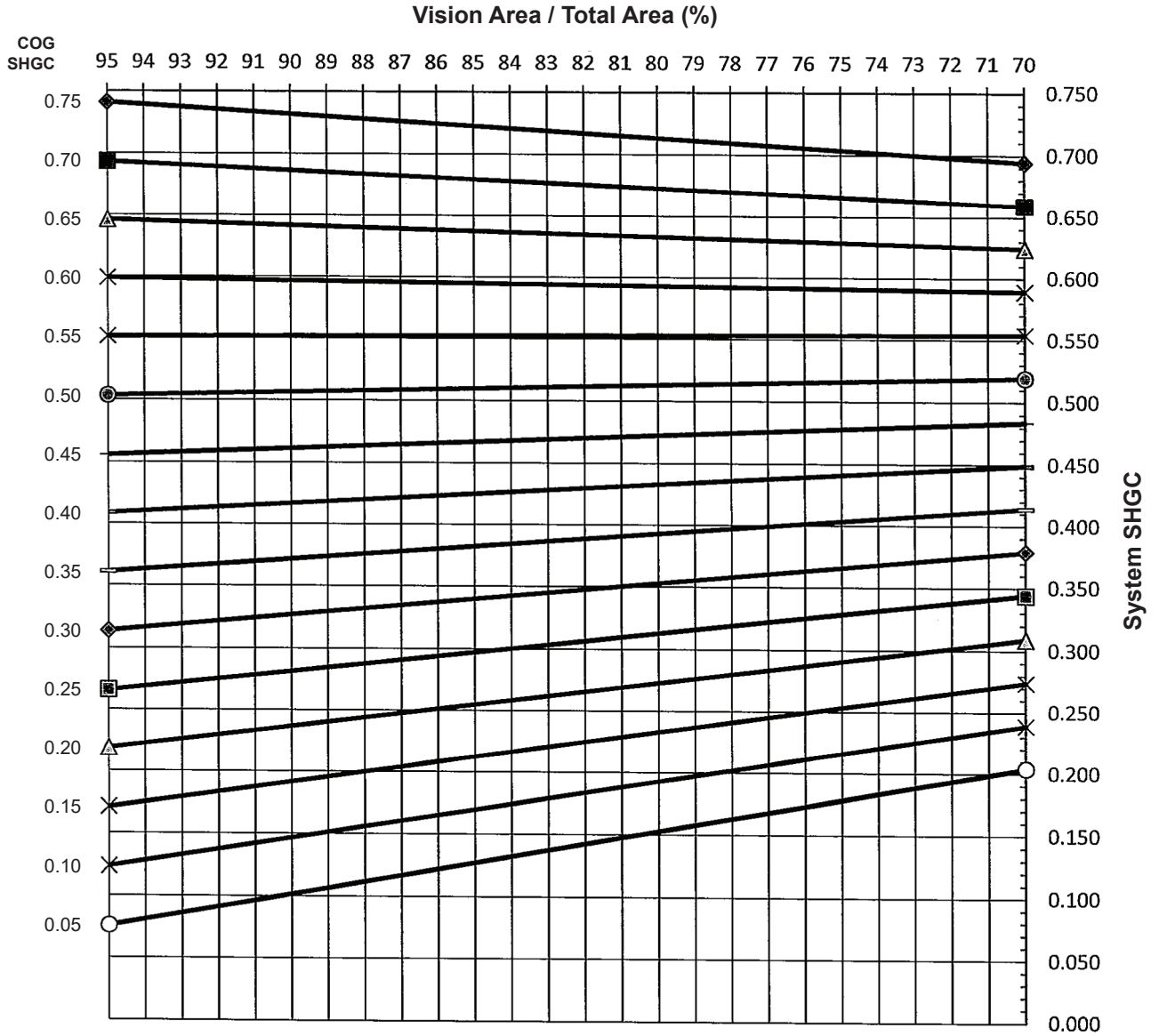
For glass values that are not listed, linear interpolation is permitted.
Glass properties are based on center of glass values (winter conditions) and are obtained from your glass supplier.

Laws and building and safety codes governing the design and use of Kawneer products, such as glazed entrance, window, and curtain wall products, vary widely. Kawneer does not control the selection of product configurations, operating hardware, or glazing materials, and assumes no responsibility therefor.

Kawneer reserves the right to change configuration without prior notice when deemed necessary for product improvement.
© 2014, Kawneer Company, Inc.

SSG Captured - Fiberglass Pressure Plate 1" Double Glazed - Aluminum Glazing Spacer

System Solar Heat Gain Coefficient (SHGC) vs Percent of Vision Area



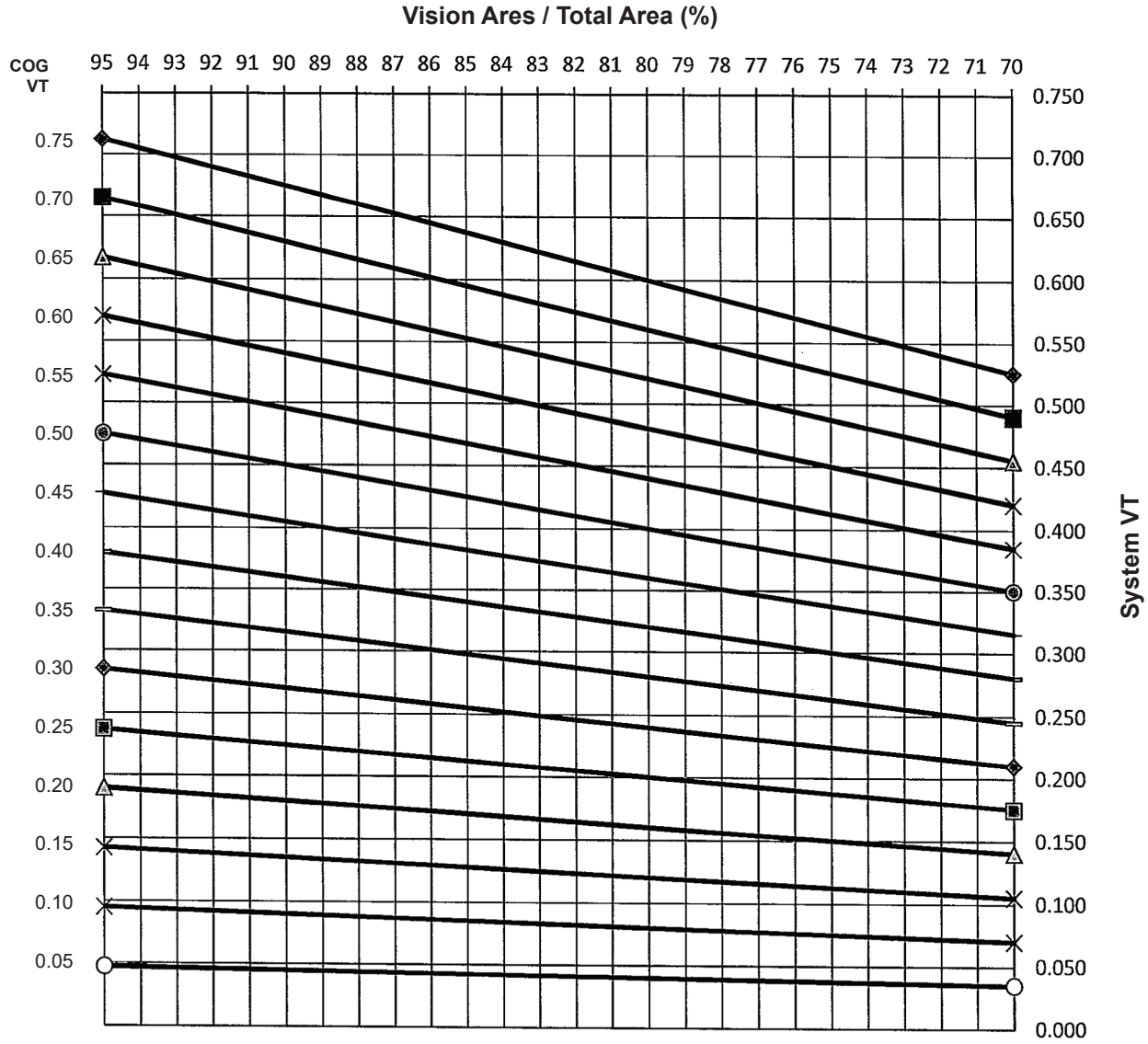
Charts are generated per AAMA 507.

Laws and building and safety codes governing the design and use of Kawneer products, such as glazed entrance, window, and curtain wall products, vary widely. Kawneer does not control the selection of product configurations, operating hardware, or glazing materials, and assumes no responsibility therefor.

Kawneer reserves the right to change configuration without prior notice when deemed necessary for product improvement.
© 2014, Kawneer Company, Inc.

**SSG Captured - Fiberglass Pressure Plate
1" Double Glazed - Aluminum Glazing Spacer**

System Visible Transmittance (VT) vs Percent of Vision Area



Charts are generated per AAMA 507.

Laws and building and safety codes governing the design and use of Kawneer products, such as glazed entrance, window, and curtain wall products, vary widely. Kawneer does not control the selection of product configurations, operating hardware, or glazing materials, and assumes no responsibility therefor.

Kawneer reserves the right to change configuration without prior notice when deemed necessary for product improvement.
© 2014, Kawneer Company, Inc.

Thermal Transmittance ¹ (BTU/hr • ft ² • °F)

| Glass U-Factor ³ | Overall U-Factor ⁴ |
|-----------------------------|-------------------------------|
| 0.48 | 0.54 |
| 0.46 | 0.53 |
| 0.44 | 0.51 |
| 0.42 | 0.49 |
| 0.40 | 0.48 |
| 0.38 | 0.46 |
| 0.36 | 0.44 |
| 0.34 | 0.42 |
| 0.32 | 0.41 |
| 0.30 | 0.39 |
| 0.28 | 0.37 |
| 0.26 | 0.36 |
| 0.24 | 0.34 |
| 0.22 | 0.32 |
| 0.20 | 0.31 |

SSG Captured Fiberglass Pressure Plate 1" Double Glazed Aluminum Glazing Spacer

NOTE: For glass values that are not listed, linear interpolation is permitted.

1. U-Factors are determined in accordance with NFRC 100.
2. SHGC and VT values are determined in accordance with NFRC 200.
3. Glass properties are based on center of glass values and are obtained from your glass supplier.
4. Overall U-Factor, SHGC, and VT Matricies are based on the standard NFRC specimen size of 2,000 mm wide by 2,000 mm high (78-3/4" by 78-3/4").

SHGC Matrix ²

| Glass SHGC ³ | Overall SHGC ⁴ |
|-------------------------|---------------------------|
| 0.75 | 0.73 |
| 0.70 | 0.69 |
| 0.65 | 0.64 |
| 0.60 | 0.60 |
| 0.55 | 0.55 |
| 0.50 | 0.51 |
| 0.45 | 0.46 |
| 0.40 | 0.42 |
| 0.35 | 0.37 |
| 0.30 | 0.33 |
| 0.25 | 0.28 |
| 0.20 | 0.24 |
| 0.15 | 0.19 |
| 0.10 | 0.15 |
| 0.05 | 0.10 |

Visible Transmittance ²

| Glass VT ³ | Overall VT ⁴ |
|-----------------------|-------------------------|
| 0.75 | 0.68 |
| 0.70 | 0.63 |
| 0.65 | 0.59 |
| 0.60 | 0.54 |
| 0.55 | 0.50 |
| 0.50 | 0.45 |
| 0.45 | 0.41 |
| 0.40 | 0.36 |
| 0.35 | 0.32 |
| 0.30 | 0.27 |
| 0.25 | 0.23 |
| 0.20 | 0.18 |
| 0.15 | 0.14 |
| 0.10 | 0.09 |
| 0.05 | 0.05 |

Laws and building and safety codes governing the design and use of Kawneer products, such as glazed entrance, window, and curtain wall products, vary widely. Kawneer does not control the selection of product configurations, operating hardware, or glazing materials, and assumes no responsibility therefor.

Kawneer reserves the right to change configuration without prior notice when deemed necessary for product improvement.
© 2014, Kawneer Company, Inc.

CONDENSATION RESISTANCE

| Glazing Infill | Pressure Plate Type | Condensation Resistance Factor (CRF) AAMA 1503 | | Temperature Index (TI) CSA A440-0 | |
|-----------------------|---------------------|---|-------|--------------------------------------|-------|
| | | Frame | Glass | Frame | Glass |
| 1" Double Captured | Aluminum | 68 | 60 | 61 | 51 |
| 1" Double SSG | Aluminum | 72 | 62 | 64 | 54 |

Laws and building and safety codes governing the design and use of Kawneer products, such as glazed entrance, window, and curtain wall products, vary widely. Kawneer does not control the selection of product configurations, operating hardware, or glazing materials, and assumes no responsibility therefor.

Kawneer reserves the right to change configuration without prior notice when deemed necessary for product improvement.

© 2014, Kawneer Company, Inc.